

TK 100 Thermotech plus



WOOD

WOOD



ALUMINIUM

System designed to provide added comfort with valuable and top quality frame. The wood-wood-aluminium system with its innovative design is geared towards the high requirements of architecture in terms of thermal insulation. *The Tk100 Thermotech system is the first to be patented *(patent n. 0001414347) and can be entirely recycled at the end of its life

last update 31/01/2017

PERFORMANCES TK 100 Thermotech Plus



AIR PERMEABILITY (in accordance with EN 1026 - UNI EN 12207)
class 4 * - Top class: 4



WATERTIGHTNESS (in accordance with EN 1027 - UNI EN 12208)
E1350 * - Top class: 9A



WIND RESISTANCE (in accordance with EN 12211 - UNI EN 12210)
class B4 * - Top class: C5



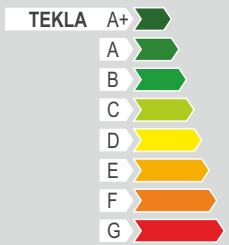
THERMAL TRANSMITTANCE (in accordance with UNI EN ISO 10077/1-2)

UF central: = 1,3 W/m²K**
UF lateral: = 1,5 W/m²K**
Uw: = 1,2 W/m²K**



ACOUSTIC INSULATION
Rw: = 44 (-2;-5) dB***

ENERGY SAVING
compared to cold window systems
with monolithic glass:



82%

* Test report n. 0020/2013 consorzio legno legno. Size window: mm 1300x2300 2 leaf and glass Ug = 0,8 W/m²K ** Test report n. 0026U/13 consorzio legno legno. Size window: mm 1230x1480 2-leaf and glass Ug = 0,8 W/m²K *** with glass 44.1 A - 20 - 66.2 A, Rw = 48 (-2,-7)

TECHNICAL FEATURES

SIZES

Fix frame: mm 74x70
Mobile rame: mm 84x92,6
Joint between wood strips: mm 3,4
overlapping: mm 6
Glass top tongue: mm 20

GLASS

Thickness: mm 42 +/- mm 1
raccomandato glass: 33.1 selettivo - 12-4-12-33.1 Ug=0,8W/m²K

THERMAL TREATMENT

Strength property T5

ALUMINIUM

Extruded in alloy EN AW 6060
Colors RAL; Wood effects
(Sublimation or powder coated);
Oxidised.
Painting with polyester powder.
In accordance with (a)

HARDWARE

Perimetric

WOOD

Profiled in solid Ash, Durmast,
Cherry, Pine, Toulipier, Maple. Water
coating. In accordance with (b)

SEALING SYSTEM

Drainage system and central EPDM
gasket (Dutral)

OPENING TYPES

Side hung, pivoted, Wasistas, arco,
fuori-squadro, sliding, tilt and turn

PROFILE CUTTING

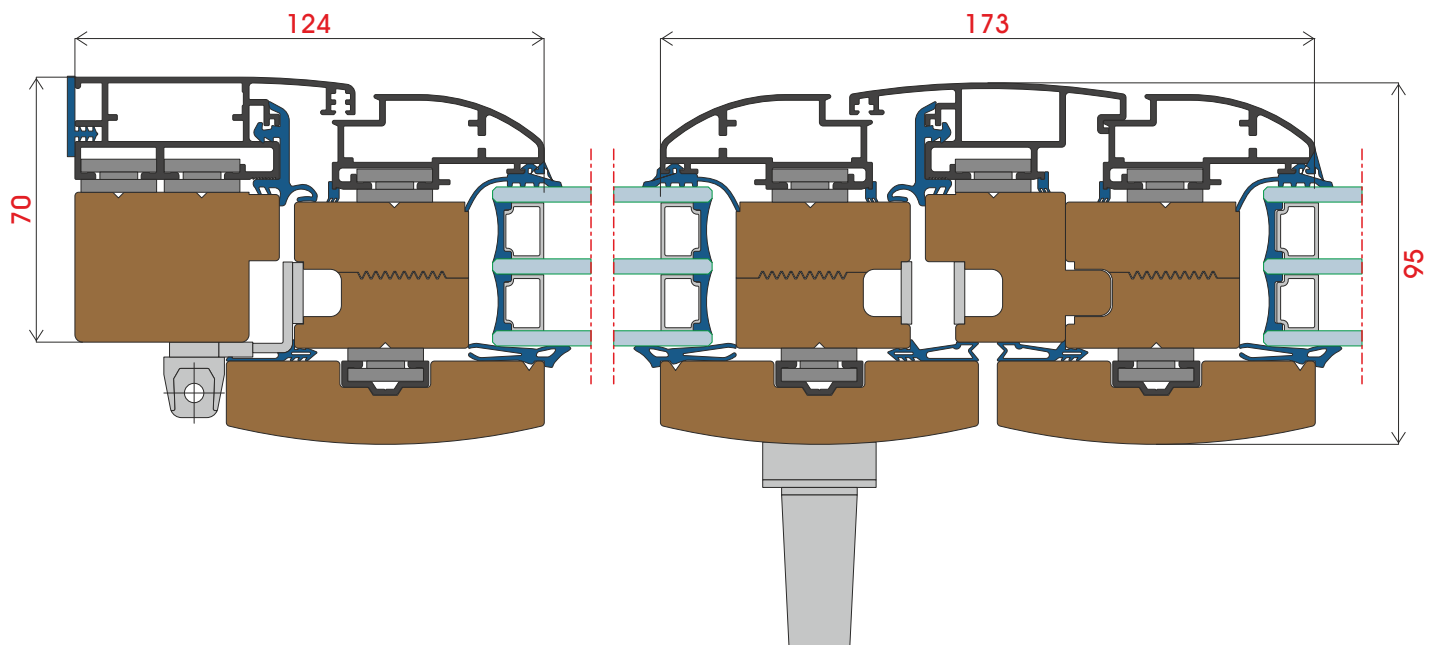
Frame: aluminium 45°
Leaf: aluminium 45°
Wood: 45° (except for lacquered
wood) and 90°

DESIGN

mobile leaf with outer radius

(a) UNI EN 12206-1:2005 Paints and Vernishes – Uni 3952 Aluminium and aluminium alloys.

(b) UNI 8662 – Wood treatment Uni EN 942:2007 Wood quality general classification. Wood from sustainable forests.



LATERAL AND CENTRAL SECTION scale 1:2

TEKLA
porte e finestre

*Le nostre sinergie
per i tuoi progetti*



teklstyle



800219300



info@teklaweb.it



teklstyle



0818507050



www.teklaweb.eu

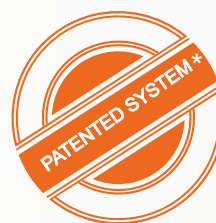


TK 100 Thermotech



WOOD

WOOD



A perfect meeting between elegance and strength, the Tk100 Thermotech system is the first to be patented *(patent n. 0001414347) and can be entirely recycled at the end of its life

last update 31/01/2017

ALUMINIUM

PERFORMANCES TK 100 Thermotech



AIR PERMEABILITY (in accordance with EN 1026 - UNI EN 12207)
class 4 * - Top class: 4



WATERTIGHTNESS (in accordance with EN 1027 - UNI EN 12208)
E1350 * - Top class: 9A

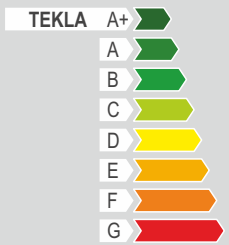


WIND RESISTANCE (in accordance with EN 12211 - UNI EN 12210)
class B4 * - Top class: C5



THERMAL TRANSMITTANCE (in accordance with UNI EN ISO 10077/1-2)
UF central: = 1,3 W/m²K**
UF lateral: = 1,4 W/m²K**
Uw: = 1,4 W/m²K**

ENERGY SAVING
compared to cold window systems
with monolithic glass:



80%

* Test report n. 0020/2013 consorzio legno legno. Size window: mm 1300x2300 2 leaf and glass Ug = 1,0 W/m²K ** Test report n. 0026U/13 consorzio legno legno. Size window: mm 1230x1480 2-leaf and glass Ug = 1,0 W/m²K

TECHNICAL FEATURES

SIZES

Fix frame: mm 74x70
Mobile rame: mm 84x92,6
Joint between wood strips: mm 3,4
overlapping : mm 6
Glass top tongue: mm 20

GLASS

Thickness: mm 30 +/- mm 1
raccomandato glass: 33.14 s - 16 argon -
33.1 Ug = 1,0 W/m²K

THERMAL TREATMENT

Strength property T5

ALUMINIUM

Extruded in alloy EN AW 6060
Colors RAL; Wood effects
(Sublimation or powder coated);
Oxidised.
Painting with polyester powder.
In accordance with (a)

HARDWARE

Perimetric

WOOD

Profiled in solid Ash, Durmast,
Cherry, Pine, Toulipier, Maple. Water
coating. In accordance with (b)

SEALING SYSTEM

Drainage system and central EPDM
gasket (Dutral)

OPENING TYPES

Side hung, pivoted, Wasistas, arco,
fuori-squadro, sliding, tilt and turn

PROFILE CUTTING

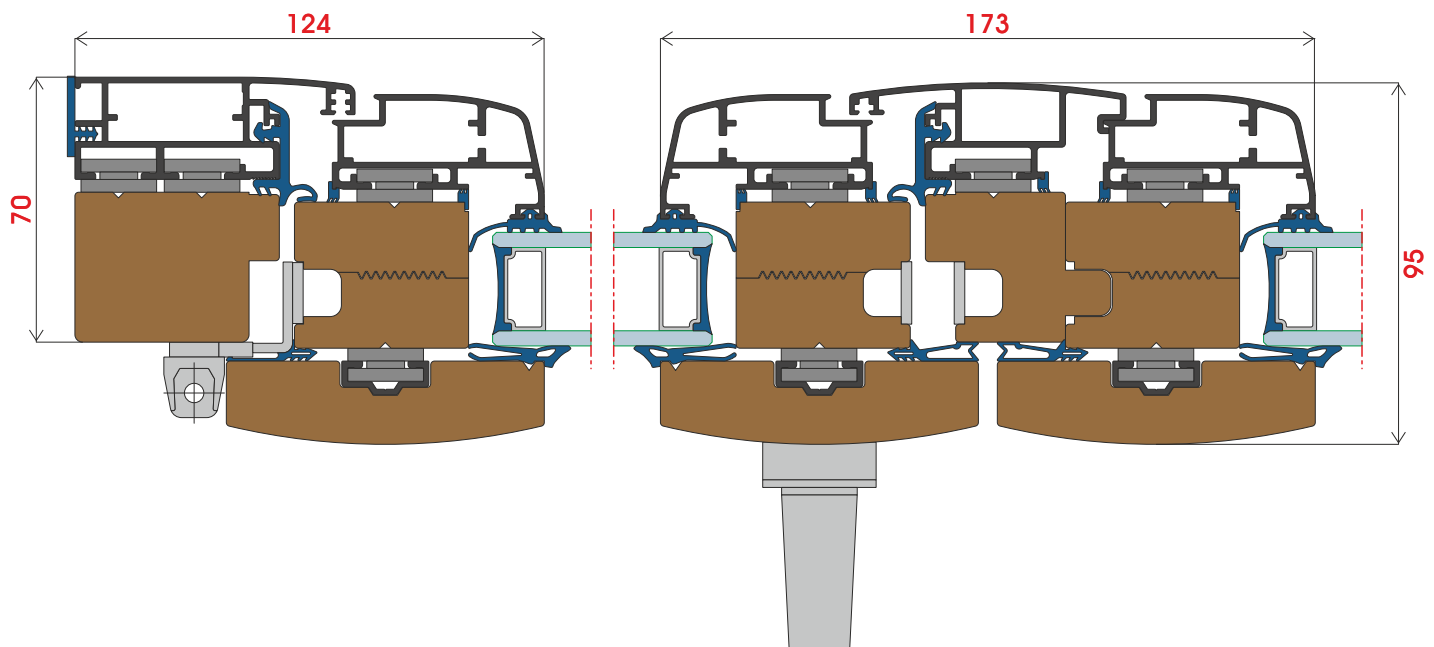
Frame: alluminio a 45°
Leaf: alluminio a 45°
Wood at 45° (tranne laccato) e 90°

DESIGN

mobile leaf with outer radius

(a) UNI EN 12206-1:2005 Paints and Vernishes – Uni 3952 Aluminium and aluminium alloys.

(b) UNI 8662 – Wood treatment Uni EN 942:2007 Wood quality general classification. Wood from sustainable forests.



LATERAL AND CENTRAL SECTION scale 1:2

TEKLA
porte e finestre

*Le nostre sinergie
per i tuoi progetti*



teklastyle



800219300



info@teklaweb.it



teklastyle



0818507050



www.teklaweb.eu



TK 100 ECOTHERM PLUS



WOOD

ALUMINIUM

Wood refinement and aluminium strength meet in this system. The wood-aluminium TK100Ecotherm system fully takes advantage of potential of both materials

last update 31/01/2017

PERFORMANCES TK 100 Ecotherm PLUS



AIR PERMEABILITY (in accordance with EN 1026 - UNI EN 12207)
class 4 * - Top class: 4



WATERTIGHTNESS (in accordance with EN 1027 - UNI EN 12208)
E1350 * - Top class: 9A



WIND RESISTANCE (in accordance with EN 12211 - UNI EN 12210)
class B4 * - Top class: C5

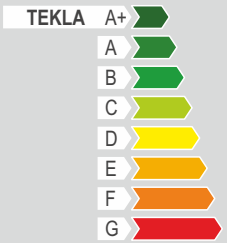


THERMAL TRANSMITTANCE (in accordance with UNI EN ISO 10077/1-2)
UF central: = 1,3 W/m²K**
UF lateral: = 1,5 W/m²K**
Uw: = 1,2 W/m²K**



ACOUSTIC INSULATION
Rw: = 44 (-2;-5) dB***

ENERGY SAVING
compared to cold window systems
with monolithic glass:



82%

* Test report n. 0020/2013 consorzio legno legno. Size window: mm 1300x2300 2 leaf and glass Ug = 0,8 W/m²K ** Test report n. 0026U/13 consorzio legno legno. Size window: mm 1230x1480 2-leaf and glass Ug = 0,8 W/m²K *** with glass 44.1 A - 20 - 66.2 A, Rw = 48 (-2,-7)

TECHNICAL FEATURES

SIZES

Fix frame: mm 74x70
Mobile rame: mm 84x92,6
Joint between wood strips: mm 3,4
overlapping: mm 6
Glass top tongue: mm 20

GLASS

Thickness: mm 42 +/- mm 1
raccomandato glass: 33.1 selettivo - 12-
4-12-33.1 Ug=0,8W/m²K

THERMAL TREATMENT

Strength property T5

ALUMINIUM

Extruded in alloy EN AW 6060
Colors RAL; Wood effects
(Sublimation or powder coated);
Oxidised.
Painting with polyester powder.
In accordance with (a)

HARDWARE

Perimetric

WOOD

Profiled in solid Ash, Durmast,
Cherry, Pine, Toulipier, Maple. Water
coating. In accordance with (b)

SEALING SYSTEM

Drainage system and central EPDM
gasket (Dutral)

OPENING TYPES

Side hung, pivoted, Wasistas, arco,
fuori-squadro, sliding, tilt and turn

PROFILE CUTTING

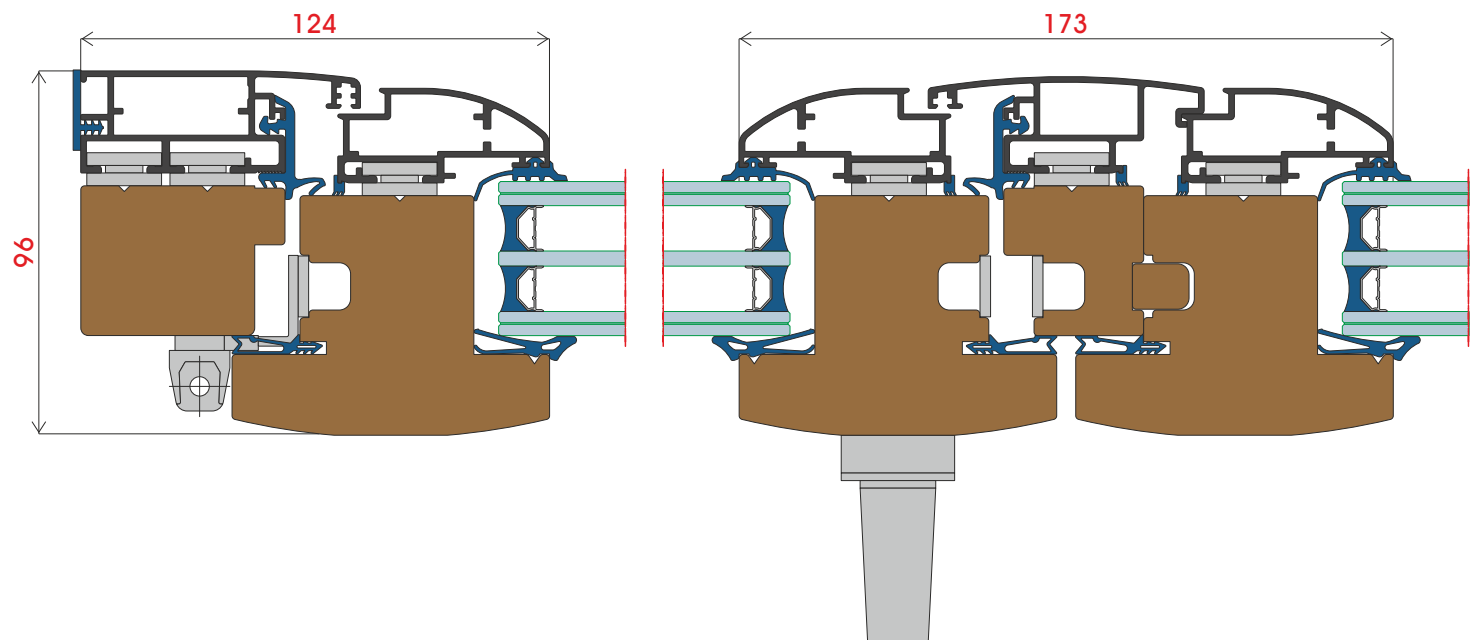
Frame: alluminio a 45°
Leaf: alluminio a 45°
Wood at 45° (tranne laccato) e 90°

DESIGN

mobile leaf with outer radius

(a) UNI EN 12206-1:2005 Paints and Vernishes – Uni 3952 Aluminium and aluminium alloys.

(b) UNI 8662 – Wood treatment Uni EN 942:2007 Wood quality general classification. Wood from sustainable forests.



LATERAL AND CENTRAL SECTION scale 1:2

TEKLA
porte e finestre

*Le nostre sinergie
per i tuoi progetti*



teklstyle



800219300



info@teklaweb.it



teklstyle



0818507050



www.teklaweb.eu



TK 100 ECOTHERM



WOOD

ALUMINIUM

Available in 3 different design options and in several varieties of wood essences and aluminium colorations

last update 31/01/2017

TEKLA[®]
porte e finestre

*Le nostre sinergie
per i tuoi progetti*



teklastyle



800219300



info@teklaweb.it



teklastyle



0818507050



www.teklaweb.eu



PERFORMANCES TK 100 ECOTHERM



AIR PERMEABILITY (in accordance with EN 1026 - UNI EN 12207)
class 4 * - Top class: 4



WATERTIGHTNESS (in accordance with EN 1027 - UNI EN 12208)
E1350 * - Top class: 9A

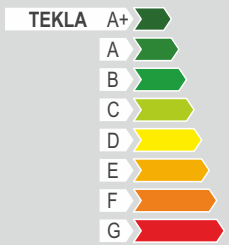


WIND RESISTANCE (in accordance with EN 12211 - UNI EN 12210)
class B4 * - Top class: C5



THERMAL TRANSMITTANCE (in accordance with UNI EN ISO 10077/1-2)
UF central: = 1,3 W/m²K**
UF lateral: = 1,4 W/m²K**
Uw: = 1,4 W/m²K**

ENERGY SAVING
compared to cold window systems
with monolithic glass:



80%

* Test report n. 0020/2013 consorzio legno legno. Size window: mm 1300x2300 2 leaf and glass Ug = 1,0 W/m²K ** Test report n. 0026U/13 consorzio legno legno. Size window: mm 1230x1480 2-leaf and glass Ug = 1,0 W/m²K

TECHNICAL FEATURES

SIZES

Fix frame: mm 74x70
Mobile rame: mm 84x92,6
Joint between wood strips: mm 3,4
overlapping : mm 6
Glass top tongue: mm 20

GLASS

Thickness: mm 30 +/- mm 1
raccomandato glass: 33.1 selettivo - 16-
33.1 Ug = 1,0 W/m²K

THERMAL TREATMENT

Strength property T5

ALUMINIUM

Extruded in alloy EN AW 6060
Colors RAL; Wood effects
(Sublimation or powder coated);
Oxidised.
Painting with polyester powder.
In accordance with (a)

HARDWARE

Perimetric

WOOD

Profiled in solid Ash, Durmast,
Cherry, Pine, Toulipier, Maple. Water
coating. In accordance with (b)

SEALING SYSTEM

Drainage system and central EPDM
gasket (Dutral)

OPENING TYPES

Side hung, pivoted, Wasistas, arco,
fuori-squadro, sliding, tilt and turn

PROFILE CUTTING

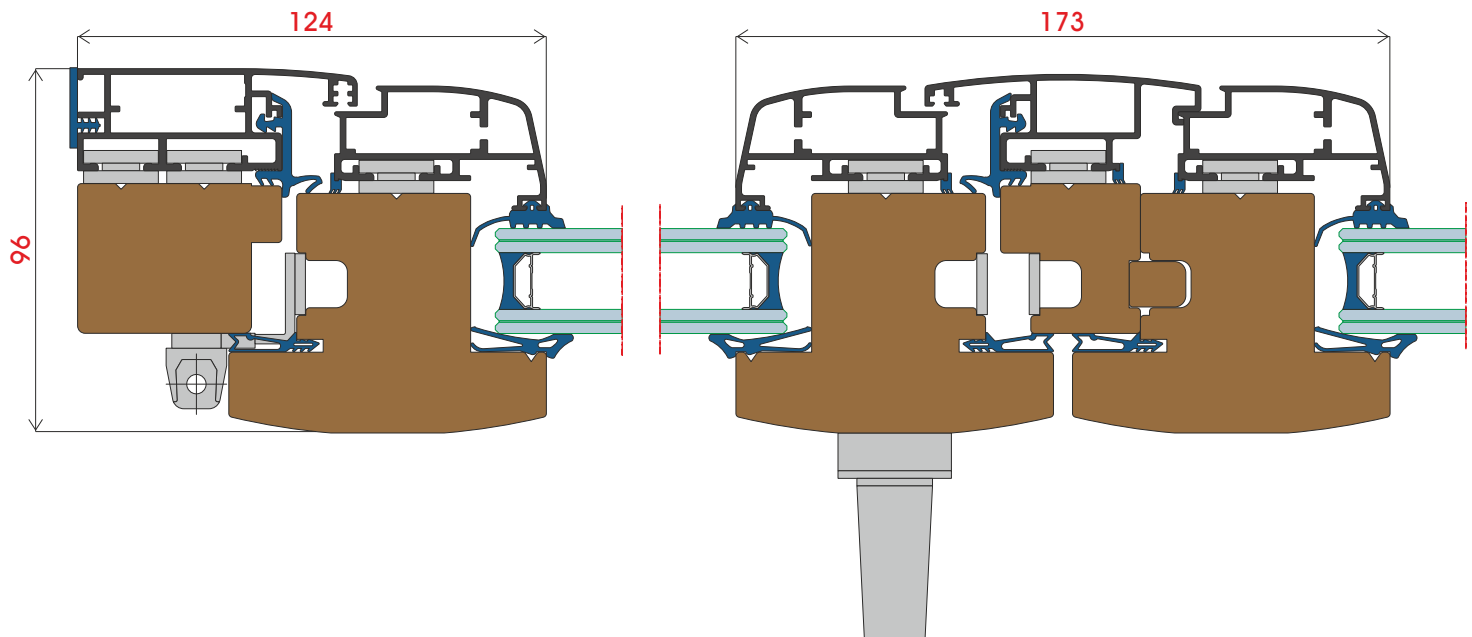
Frame: alluminio a 45°
Leaf: alluminio a 45°
Wood at 45° (tranne laccato) e 90°

DESIGN

mobile leaf with outer radius

(a) UNI EN 12206-1:2005 Paints and Vernishes – Uni 3952 Aluminium and aluminium alloys.

(b) UNI 8662 – Wood treatment Uni EN 942:2007 Wood quality general classification. Wood from sustainable forests.



LATERAL AND CENTRAL SECTION scale 1:2

TEKLA®
porte e finestre

*Le nostre sinergie
per i tuoi progetti*



teklastyle



800219300



info@teklaweb.it



teklastyle



0818507050



www.teklaweb.eu



TK AS 200



ALUMINIUM
thermal break







WOOD

Designed to have minimum obstruction effect, the TK As200 lift and slide system is specially used to manufacture of window with storey-height glazing

last update 31/01/2017

TEKLA[®]
porte e finestre

*Le nostre sinergie
per i tuoi progetti*

 [teklstyle](#)  800219300  info@teklaweb.it
 [teklstyle](#)  0818507050  www.teklaweb.eu



PERFORMANCES TK AS200

AIR PERMEABILITY (in accordance with EN 1026 - UNI EN 12207)
class 3* - Top class: 4

WATERTIGHTNESS (in accordance with EN 1027 - UNI EN 12208)
8A* - Top class: 9A

WIND RESISTANCE (in accordance with EN 12211 - UNI EN 12210)
class C4* - Top class: C5

THERMAL TRANSMITTANCE (in accordance with UNI EN ISO 10077/1-2)
UF central: = 4,27 W/m²K**
UF lateral: = 3,06 W/m²K**
Uw: = 1,79 W/m²K**

ENERGY SAVING
compared to cold window systems
with monolithic glass:



75%

* Test report n. 204547 dell'Istituto Giordano S.p.A. Size window: mm 2220x2220 a 2 sliding leaves and glass Ug = 1,1 W/m²K ** Test report n. 0970 - CPD-RP0294 dell'ITC di Milano. Size window: mm 2750x2400 a 2 leaves and glass Ug = 1,1 W/m²K

TECHNICAL FEATURES

SIZE

Fix frame: mm 205
Mobile frame: mm 79
Overlapping: mm 10
Glass top tongue: mm 20

GLASS

Thickness: Min. mm 34 Max. mm 37
recommended glass: 33.14s - 20 argon -
33.1 Ug = 1,1 W/m²K

THERMAL TREATMENT

Strength property T5

ALUMINIUM

Extruded in alloy EN AW 6060
Colors RAL; Wood effects
(Sublimation or powder coated);
Oxidised.
Painting with polyester powder.
In accordance with (a)

HARDWARE

Perimetric

WOOD

Profiled in solid Ash, Durmast,
Cherry, Pine, Toulipier, Maple. Water
coating. In accordance with (b)

GLAZING BEADS

In pressure contrast wood

SEALING SYSTEM

Drainage system and central EPDM
gasket (Dutral)

OPENING TYPES

Slide opening from 2 to 6 leaves

PROFILE CUTTING

Frame: aluminium at 45°
Leaf: aluminium at 45°
Wood at 45° and 90°

THERMAL BREAK

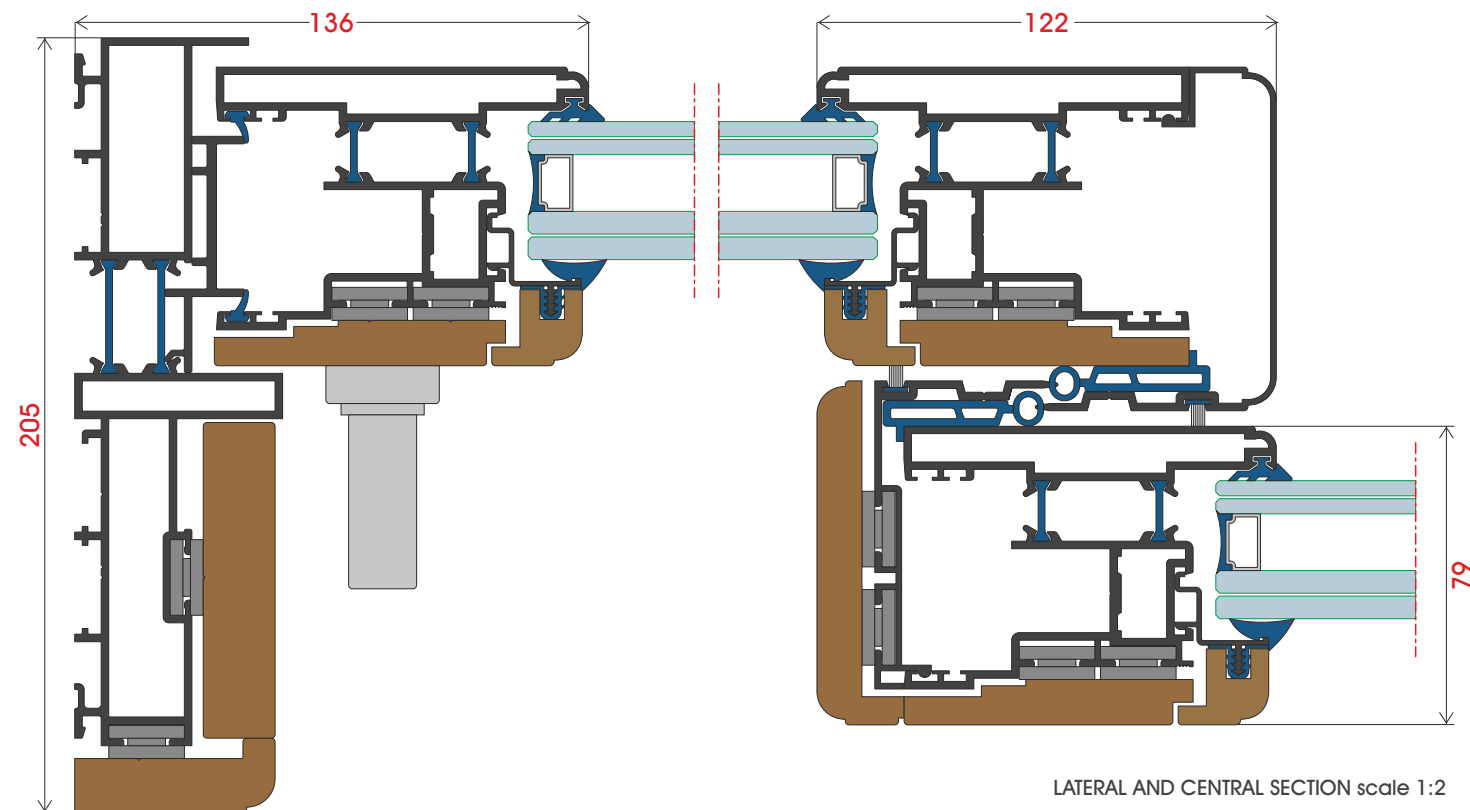
Polyamide bar reinforced with
fibreglass
Total height mm 30 for fix frame and
mm 16 for mobile leaves

DESIGN

mobile leaves with outer radius

(a) UNI EN 12206-1:2005 Paints and Vernishes – Uni 3952 Aluminium and aluminium alloys.

(b) UNI 8662 – Wood treatment Uni EN 942:2007 Wood quality general classification. Wood from sustainable forests.



LATERAL AND CENTRAL SECTION scale 1:2

TEKLA
porte e finestre

*Le nostre sinergie
per i tuoi progetti*



teklastyle



800219300



info@teklaweb.it



teklastyle



0818507050



www.teklaweb.eu



TK 90 FP B34



ALUMINIUM
thermal break

WOOD

Advantages of aluminium and attractive look of wood make this system the one of the most popular. The Tk90 FP system offers a comprehensive range of solutions for special design requirements

last update 31/01/2017

PERFORMANCES TK 90 FP B34

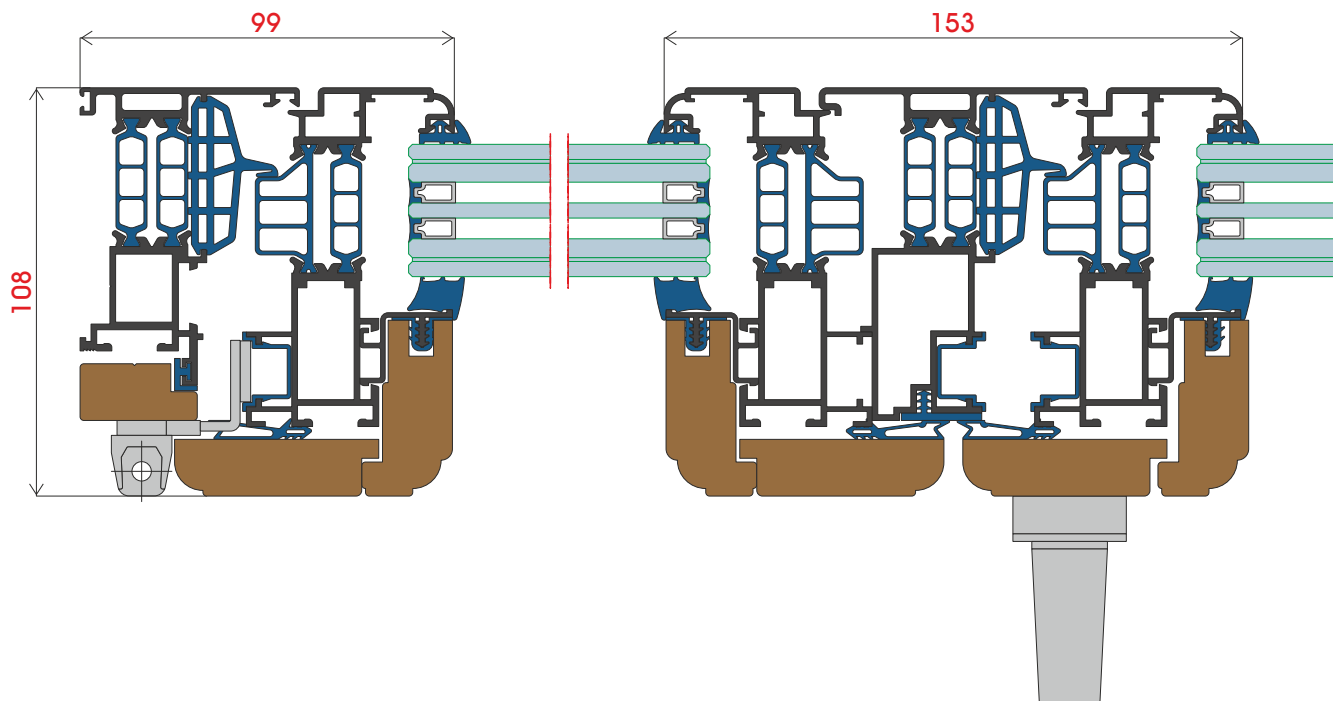
	AIR PERMEABILITY (in accordance with EN 1026 - UNI EN 12207) class 4 * - Top class: 4	ENERGY SAVING compared to cold window systems with monolithic glass: TEKLA A+  A  B  C  D  E  F  G  78%
	WATERTIGHTNESS (in accordance with EN 1027 - UNI EN 12208) class 9A * - Top class: 9A	
	WIND RESISTANCE (in accordance with EN 12211 - UNI EN 12210) class C4 * - Top class: C5	
	THERMAL TRANSMITTANCE (in accordance with UNI EN ISO 10077/1-2) UF central: = 1,95 W/m²K** UF lateral: = 1,92 W/m²K** Uw: = 1,64 W/m²K**	

* Test report n. 204552 by Istituto Giordano S.p.A. (in accordance with par 3.4 of UNI EN A 14351-1/2010 from TK 90 FP B24 to TK 90 FP B34) - ** Size window: mm 1280x1430 with 2 leaves and glass Ug = 0,8 W/m²K

TECHNICAL FEATURES

SIZE Fix frame: mm 88 Mobile frame: mm 108 Joint between wood strips: mm 5 overlapping : mm 6 Glass top tongue: mm 22	THERMAL TREATMENT Strength property T5 ALUMINIUM Extruded in alloy EN AW 6060 Colors RAL; Wood effects (Sublimation or powder coated); Oxidised. Painting with polyester powder. In accordance with (a)	HARDWARE Perimetric WOOD Profiled in solid Ash, Durmast, Cherry, Pine, Toulipier, Maple. Water coating. In accordance with (b)	SEALING SYSTEM Drainage system and central EPDM gasket (Dutral) OPENING TYPES Side hung, pivoted, Wasistas, arco, fuori-squadro, sliding, tilt and turn PROFILE CUTTING Frame: aluminium at 45° Leaf: aluminium at 45° Wood at 45° and 90°	THERMAL BREAK Polyamide bar reinforced with fibreglass Height mm 34, thickness mm 1,8 DESIGN mobile leaves with outer radius
---	---	---	--	---

(a) UNI EN 12206-1:2005 Paints and Vernishes – Uni 3952 Aluminium and aluminium alloys.
 (b) UNI 8662 – Wood treatment Uni EN 942:2007 Wood quality general classification. Wood from sustainable forests.



LATERAL AND CENTRAL SECTION scale 1:2

TK 90 FP B24



ALUMINIUM
thermal break

WOOD

The TK90FP system with 16 or 24 mm bar can be easily adapted to suite conditions in all setting, it boasts excellent system features and thermal insulation values

last update 31/01/2017

PERFORMANCES TK 90 FP B24

	AIR PERMEABILITY (in accordance with EN 1026 - UNI EN 12207) class 4 * - Top class: 4	ENERGY SAVING compared to cold window systems with monolithic glass: TEKLA A+  A  B  C  D  E  F  G  72%
	WATERTIGHTNESS (in accordance with EN 1027 - UNI EN 12208) class 9A * - Top class: 9A	
	WIND RESISTANCE (in accordance with EN 12211 - UNI EN 12210) class C4 * - Top class: C5	
	THERMAL TRANSMITTANCE (in accordance with UNI EN ISO 10077/1-2) UF central: = 2,36 W/m²K** UF lateral: = 2,26 W/m²K** Uw: = 1,98 W/m²K**	

* Test report n. 204552 by Istituto Giordano S.p.A. - ** Test report n. 0970 - CPD-RP0287 by ITC Milano on 03/09/2007. Window size: mm 1280x1430 with 2 leaves and glass Ug = 1,1 W/m²K

TECHNICAL FEATURES

SIZE

Fix frame: mm 78
 Mobile frame: mm 98
 Joint between wood strips: mm 5
 overlapping : mm 6
 Glass top tongue: mm 22

GLASS

Thickness: Min. mm 30 Max. mm 52
 recommended glass: 33.1 - 15 - 33.1 Ug
 = 1,1 W/m²K

THERMAL TREATMENT

Strength property T5

ALUMINIUM

Extruded in alloy EN AW 6060
 Colors RAL; Wood effects
 (Sublimation or powder coated);
 Oxidised.
 Painting with polyester powder.
 In accordance with (a)

HARDWARE

Perimetric

WOOD

Profiled in solid Ash, Durmast,
 Cherry, Pine, Toulipier, Maple. Water
 coating. In accordance with (b)

GLAZING BEADS

In pressure contrast wood

SEALING SYSTEM

Drainage system and central EPDM
 gasket (Dutral)

OPENING TYPES

Side hung, pivoted, Wasistas, arco,
 fuori-squadro, sliding, tilt and turn

PROFILE CUTTING

Frame: aluminium at 45°
 Leaf: aluminium at 45°
 Wood at 45° and 90°

THERMAL BREAK

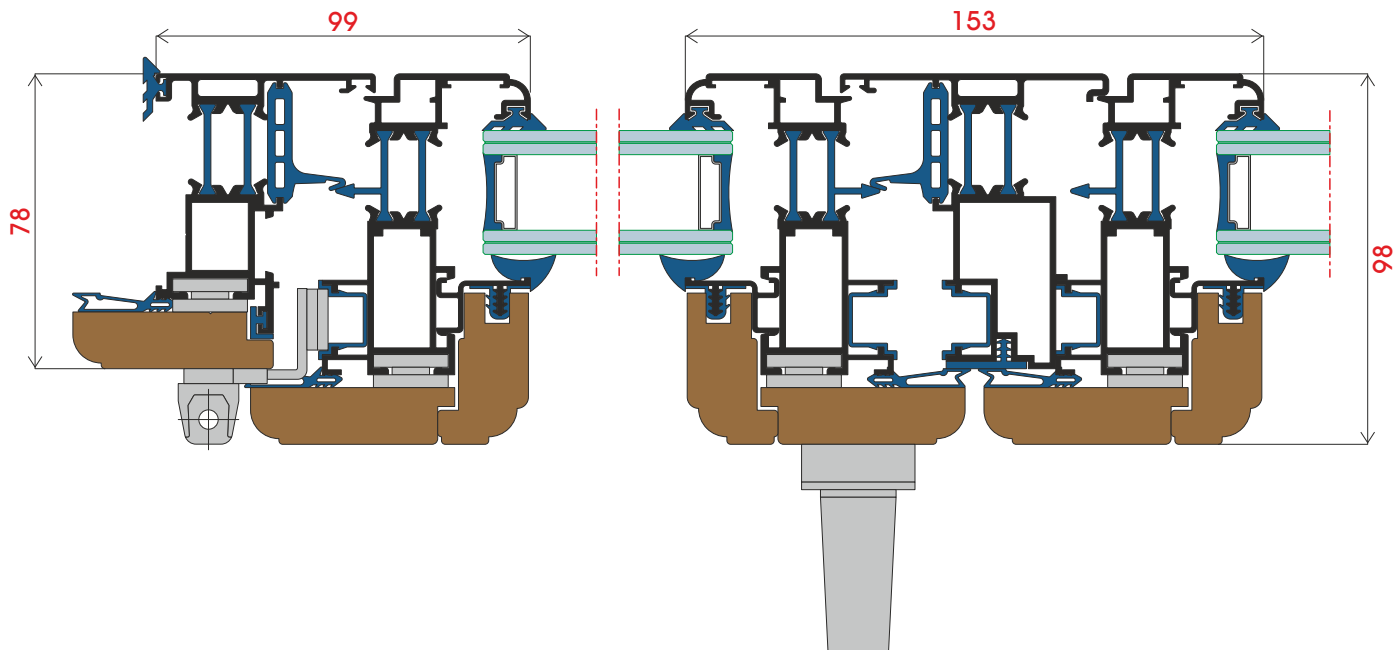
Polyamide bar reinforced with
 fibreglass
 Total height mm24, thickness
 mm1,8

DESIGN

mobile leaves with outer radius

(a) UNI EN 12206-1:2005 Paints and Vernishes – Uni 3952 Aluminium and aluminium alloys.

(b) UNI 8662 – Wood treatment Uni EN 942:2007 Wood quality general classification. Wood from sustainable forests.



LATERAL AND CENTRAL SECTION scale 1:2

TK 90 FP B16



ALUMINIUM
thermal break

WOOD







The TK90FP system with 16 or 24 mm bar can be easily adapted to suite conditions in all setting, it boasts excellent system features and thermal insulation values

*in the picture is reported the TK90 FP B24 system, available also with 16 or 24 mm bar

last update 31/01/2017

TEKLA[®]
porte e finestre

*Le nostre sinergie
per i tuoi progetti*

 [teklastyle](#)  800219300  info@teklaweb.it
 [teklastyle](#)  0818507050  www.teklaweb.eu



PERFORMANCES TK 90 FP B16



AIR PERMEABILITY (in accordance with EN 1026 - UNI EN 12207)
class 4 * - Top class: 4



WATERTIGHTNESS (in accordance with EN 1027 - UNI EN 12208)
class 9A * - Top class: 9A

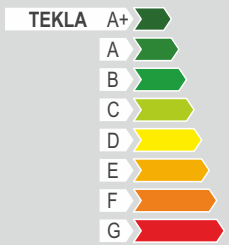


WIND RESISTANCE (in accordance with EN 12211 - UNI EN 12210)
class C3 * - Top class: C5



THERMAL TRANSMITTANCE (in accordance with UNI EN ISO 10077/1-2)
UF central: = 2,66 W/m²K**
UF lateral: = 2,65 W/m²K**
Uw: = 2,12 W/m²K**

ENERGY SAVING
compared to cold window systems
with monolithic glass:



68%

* Test report n. 204551 by Istituto Giordano S.p.A. - ** Test report n. 0970 - CPD-RP0291 by ITC Milano on 03/09/2007. Size window mm 1280x1430 with 2 leaves and glass Ug = 1,1 W/m²K

TECHNICAL FEATURES

SIZE

Fix frame: mm 70
Mobile frame: mm 90
Joint between wood strips: mm 5
overlapping : mm 6
Glass top tongue: mm 22

GLASS

Thickness: Min. mm 22 Max. mm 44
recommended glass: 33.1 - 15 - 33.1 Ug
= 1,1 W/m²K

THERMAL TREATMENT

Strength property T5

ALUMINIUM

Extruded in alloy EN AW 6060
Colors RAL; Wood effects
(Sublimation or powder coated);
Oxidised.
Painting with polyester powder.
In accordance with (a)

HARDWARE

Perimetric

WOOD

Profiled in solid Ash, Durmast,
Cherry, Pine, Toulipier, Maple. Water
coating. In accordance with (b)

GLAZING BEADS

In pressure contrast wood

SEALING SYSTEM

Drainage system and central EPDM
gasket (Dutral)

OPENING TYPES

Side hung, pivoted, Wasistas, arco,
fuori-squadro, sliding, tilt and turn

PROFILE CUTTING

Frame: aluminium at 45°
Leaf: aluminium at 45°
Wood at 45° and 90°

THERMAL BREAK

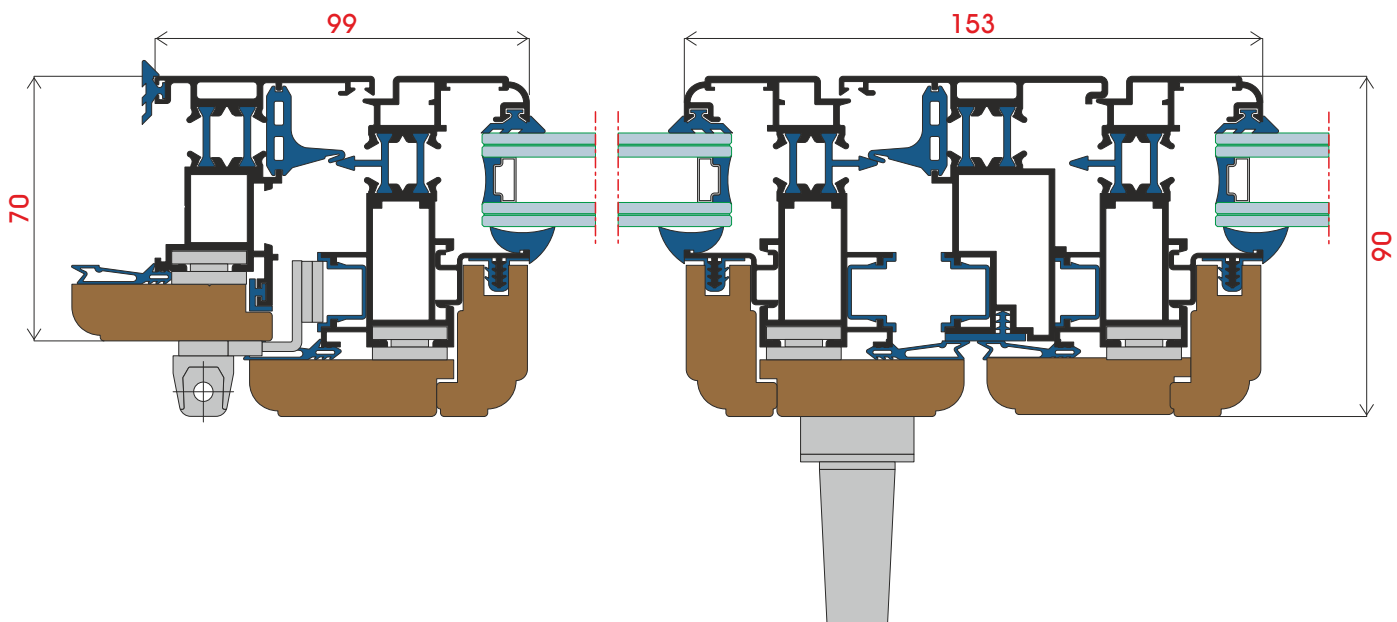
Polyamide bar reinforced with
fibreglass
Total height mm 16, thickness
mm 1,8

DESIGN

mobile leaves with outer radius

(a) UNI EN 12206-1:2005 Paints and Vernishes – Uni 3952 Aluminium and aluminium alloys.

(b) UNI 8662 – Wood treatment Uni EN 942:2007 Wood quality general classification. Wood from sustainable forests.



LATERAL AND CENTRAL SECTION scale 1:2

TEKLA
porte e finestre

*Le nostre sinergie
per i tuoi progetti*



teklstyle



800219300



info@teklaweb.it



teklstyle



0818507050



www.teklaweb.eu



TK 90 ENERGY

ALUMINIUM
thermal break

WOOD



Aside from the design, with its rounded profile, Tk90 Energy system adapts to different ambient conditions and user preferences

last update 31/01/2017

TEKLA[®]
porte e finestre

*Le nostre sinergie
per i tuoi progetti*



teklastyle



800219300



info@teklaweb.it



teklastyle



0818507050



www.teklaweb.eu



PERFORMANCES TK 90 ENERGY



AIR PERMEABILITY (in accordance with EN 1026 - UNI EN 12207)
class 2* - Top class: 4



WATERTIGHTNESS (in accordance with EN 1027 - UNI EN 12208)
class 6A* - Top class: 9A

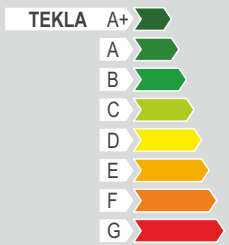


WIND RESISTANCE (in accordance with EN 12211 - UNI EN 12210)
class B2* - Top class: C5



THERMAL TRANSMITTANCE (in accordance with UNI EN ISO 10077/1-2)
UF central: = 2,26 W/m²K**
UF lateral: = 2,24 W/m²K**
Uw: = 1,82 W/m²K**

ENERGY SAVING
compared to cold window systems
with monolithic glass:



76%

* Test report n.0404/2009-G by Istedil S.p.A. Size window 1660x2550 with 2 leaves **Test report n. 0970 - CPD-RP0296 dell'ITC Milano. Size window: mm 1350x2200 with 2 leaf and glass Ug = 1,0 W/m²K

TECHNICAL FEATURES

SIZE

Fix frame: mm 67,9
Mobile frame: mm 88,5
Joint between wood strips: mm 5
overlapping : mm 6
Glass top tongue: mm 22

GLASS

Thickness: mm 30
recommended glass: 33.14s - 15 argon -
33.1 Ug = 1,0 W/m²K

THERMAL TREATMENT

Strength property T5

ALUMINIUM

Extruded in alloy EN AW 6060
Colors RAL; Wood effects
(Sublimation or powder coated);
Oxidised.
Painting with polyester powder.
In accordance with (a)

HARDWARE

Perimetric

WOOD

Profiled in solid Ash, Durmast,
Cherry, Pine, Toulipier, Maple. Water
coating. In accordance with (b)

GLAZING BEADS

leaf insert

SEALING SYSTEM

Drainage system and central EPDM
gasket (Dutral)

OPENING TYPES

Side hung, pivoted, Wasistas, arco,
fuori-squadro, sliding, tilt and turn

PROFILE CUTTING

Frame: aluminium at 45°
Leaf: aluminium at 45°
Wood at 45° and 90°

THERMAL BREAK

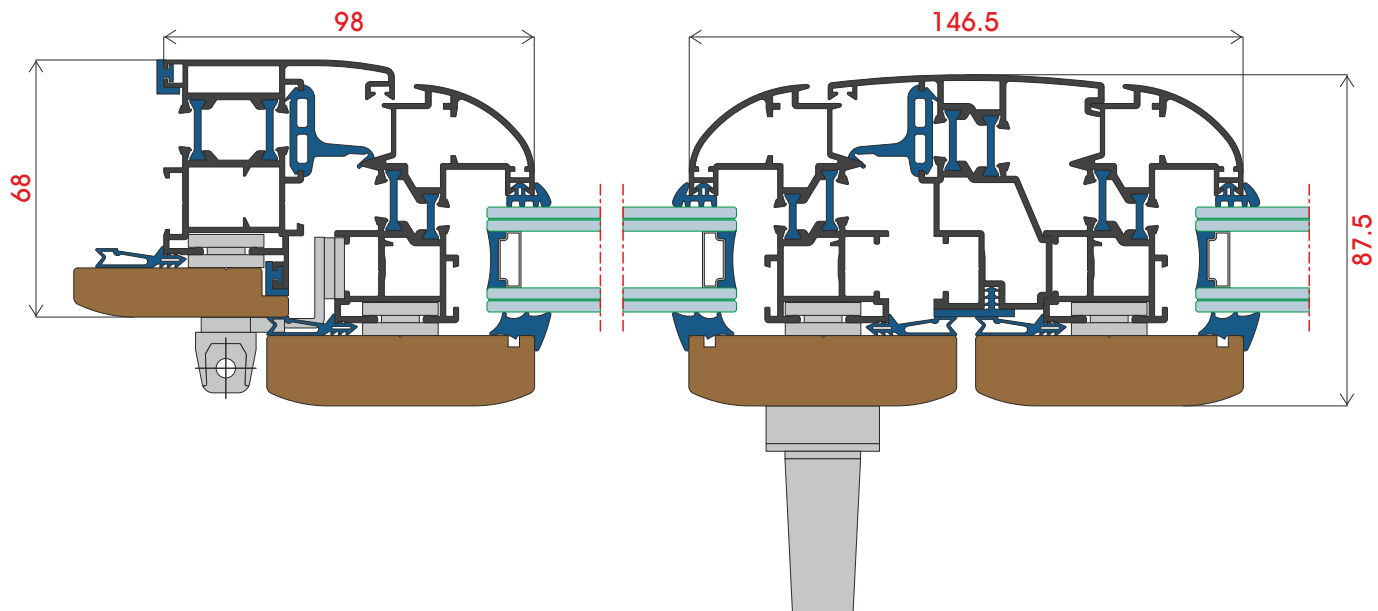
Polyamide bar reinforced with
fibreglass
Total height mm 16 and 12,
thickness mm 1,8

DESIGN

mobile leaves with outer radius

(a) UNI EN 12206-1:2005 Paints and Vernishes – Uni 3952 Aluminium and aluminium alloys.

(b) UNI 8662 – Wood treatment Uni EN 942:2007 Wood quality general classification. Wood from sustainable forests.



LATERAL AND CENTRAL SECTION scale 1:2

TEKLA
porte e finestre

*Le nostre sinergie
per i tuoi progetti*



teklastyle



800219300



info@teklaweb.it



teklastyle



0818507050



www.teklaweb.eu



TK 80 PLUS

ALUMINIUM

WOOD









With several opening types available, TK 80Plus system is suitable for different housing solutions both classic and modern

last update 31/01/2017

TEKLA®
porte finestre

*Le nostre sinergie
per i tuoi progetti*

 [teklastyle](#)  800219300  info@teklaweb.it
 [teklastyle](#)  0818507050  www.teklaweb.eu



PERFORMANCES TK 80 PLUS



AIR PERMEABILITY (in accordance with EN 1026 - UNI EN 12207)
class 4 * - Top class: 4



WATERTIGHTNESS (in accordance with EN 1027 - UNI EN 12208)
9A * - Top class: 9A



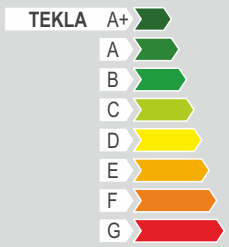
WIND RESISTANCE (in accordance with EN 12211 - UNI EN 12210)
classe C3 * - Top class: C5



THERMAL TRANSMITTANCE (in accordance with UNI EN ISO 10077/1-2)
UF central: = 2,84 W/m²K**
UF lateral: = 2,98 W/m²K**
Uw: = 1,89 W/m²K**



ENERGY SAVING
compared to cold window systems
with monolithic glass:



68%

* Test report n. 204553 by ISTITUTO GIORDANO S.p.A. ** Test report n. 0970 - CPD-RP0288 by ITC Milano. Size window: mm 1280x1430 with 2 leafs and glass Ug = 1,0 W/m²K with WarmEdge

TECHNICAL FEATURES

SIZE

Fix frame: mm 59,9
Mobile frame: mm 69
Joint between wood strips: mm 5
Overlapping : mm 6
Glass top tongue: mm 22

GLASS

Thickness: Min. 29 Max. mm 32
recommended glass: 33.24s - 15 argon -
33.2 Ug = 1,0 W/m²K

THERMAL TREATMENT

Strength property T5

ALUMINIUM

Extruded in alloy EN AW 6060
Colors RAL; Wood effects
(Sublimation or powder coated);
Oxidised.
Painting with polyester powder.
In accordance with (a)

HARDWARE

Perimetric

WOOD

Profiled in solid Ash, Durmast,
Cherry, Pine, Toulipier, Maple. Water
coating. In accordance with (b)

GLAZING BEADS

leaf insert

SEALING SYSTEM

Drainage system and central EPDM
gasket (Dutral)

PROFILE CUTTING

Frame: aluminium at 45°
Leaf: aluminium at 45°
Wood at 45° and 90°

OPENING TYPES

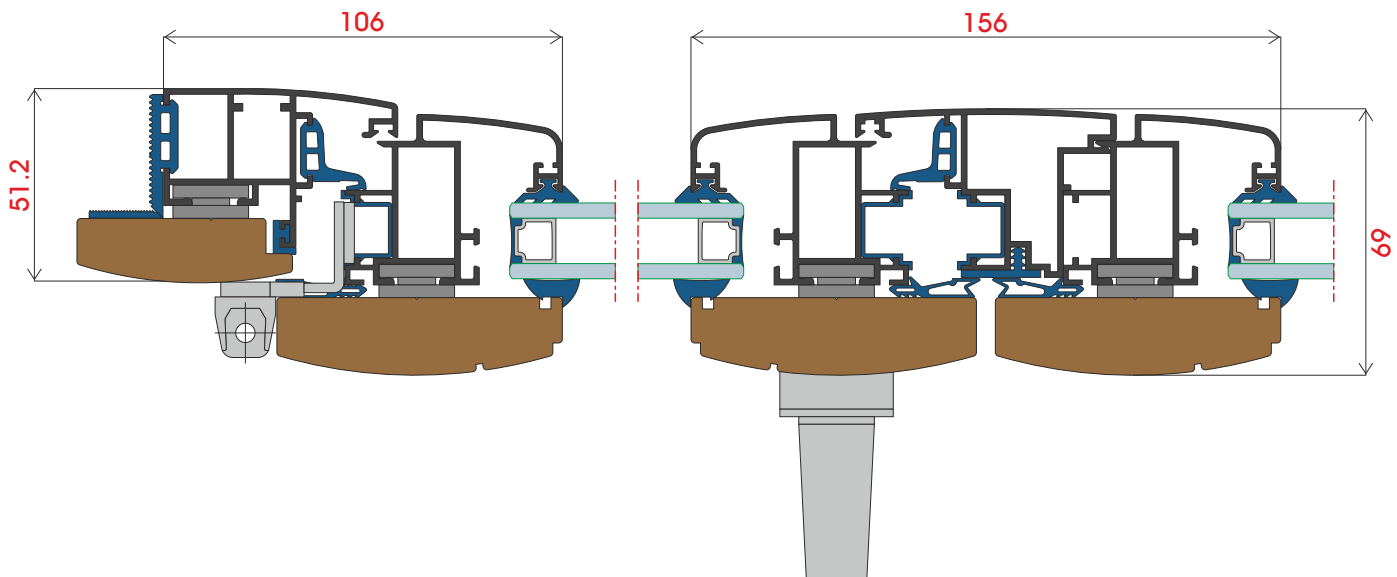
Side hung, pivoted, Wasistas, arco,
fuori-squadro, sliding, tilt and turn

DESIGN

mobile leafs with outer radius

(a) UNI EN 12206-1:2005 Paints and Vernishes – Uni 3952 Aluminium and aluminium alloys.

(b) UNI 8662 – Wood treatment Uni EN 942:2007 Wood quality general classification. Wood from sustainable forests.



LATERAL AND CENTRAL SECTION scale 1:2

TEKLA
porte e finestre

*Le nostre sinergie
per i tuoi progetti*



teklastyle



800219300



info@teklaweb.it



teklastyle



0818507050



www.teklaweb.eu



TK 80 S

ALUMINIUM

WOOD



With the TK 80 sliding system the most stylish demands in term of design and comfort are satisfied

last update 31/01/2017

TEKLA[®]
porte e finestre

*Le nostre sinergie
per i tuoi progetti*



teklastyle



800219300



info@teklaweb.it



teklastyle



0818507050



www.teklaweb.eu



PERFORMANCES TK 80 S



AIR PERMEABILITY (in accordance with EN 1026 - UNI EN 12207)
class 3* - Top class: 4



WATERTIGHTNESS (in accordance with EN 1027 - UNI EN 12208)
class 9A* - Top class: 9A

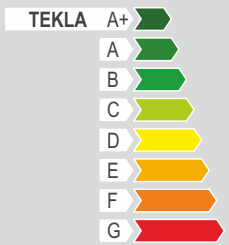


WIND RESISTANCE (in accordance with EN 12211 - UNI EN 12210)
class C3* - Top class: C5



THERMAL TRANSMITTANCE (in accordance with UNI EN ISO 10077/1-2)
UF central: = 4,68 W/m²K**
UF lateral: = 4,27 W/m²K**
Uw: = 3,06 W/m²K**

ENERGY SAVING
compared to cold window systems
with monolithic glass:



60%

* Test report n. 204554 by ISTITUTO GIORDANO S.p.A. ** Test report n. 1743/2008-C by ISTDIL S.p.A. size window: mm 1230x1480 with 2 sliding leaves and glass Ug = 1,3 W/m²K

TECHNICAL FEATURES

SIZE

Fix frame: mm 86,7
Mobile frame: mm 55,2
Overlapping : mm 10
Glass top tongue: mm 22

GLASS

Thickness: Min. mm 21 Max. mm 23
recommended glass: 33.1 -9 -33.1 Ug = 1,6W/m²K

THERMAL TREATMENT

Strength property T5

ALUMINIUM

Extruded in alloy EN AW 6060
Colors RAL; Wood effects
(Sublimation or powder coated);
Oxidised.
Painting with polyester powder.
In accordance with (a)

HARDWARE

Perimetric

WOOD

Profiled in solid Ash, Durmast,
Cherry, Pine, Toulipier, Maple. Water
coating. In accordance with (b)

GLAZING BEADS

leaf insert

SEALING SYSTEM

Drainage system and central EPDM mobile leaves with outer radius
gasket (Dutral)

OPENING TYPES

Side hung, pivoted, Wasistas, arco,
fuori-squadro, sliding, tilt and turn

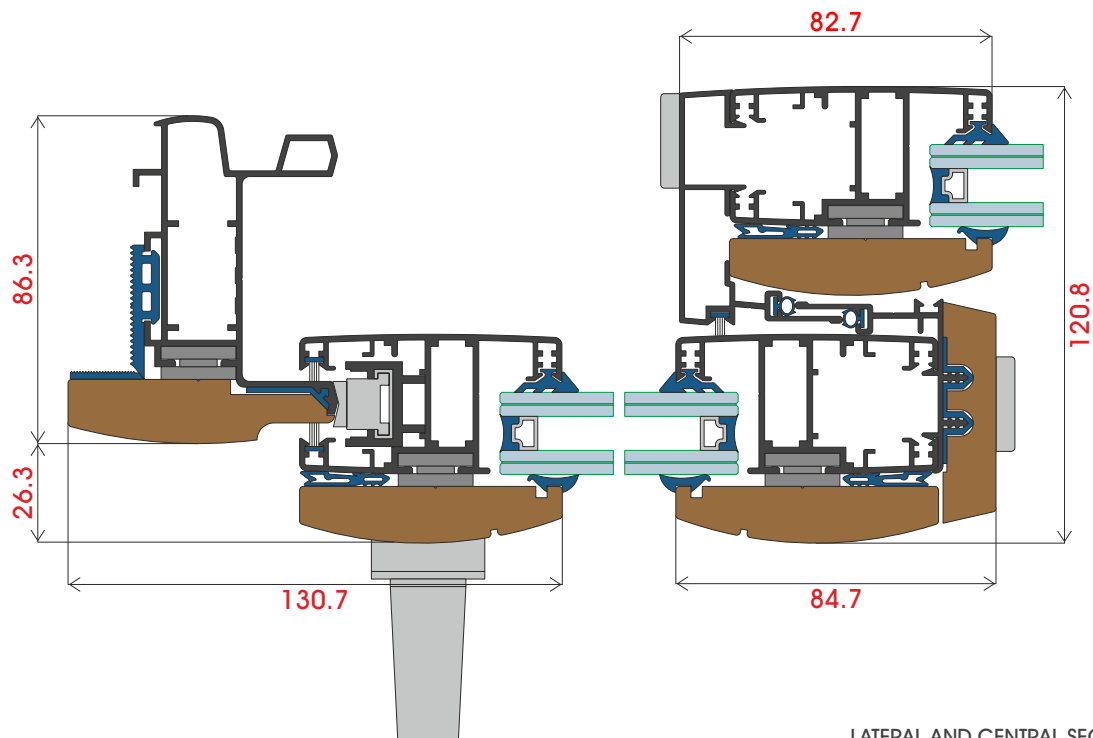
PROFILE CUTTING

Frame: aluminium at 45°
Leaf: aluminium at 45°
Wood at 45° and 90°

DESIGN

(a) UNI EN 12206-1:2005 Paints and Vernishes – Uni 3952 Aluminium and aluminium alloys.

(b) UNI 8662 – Wood treatment Uni EN 942:2007 Wood quality general classification. Wood from sustainable forests.



LATERAL AND CENTRAL SECTION scale 1:2

TEKLA
porte finestre

*Le nostre sinergie
per i tuoi progetti*



teklastyle



800219300



info@teklaweb.it



teklastyle



0818507050



www.teklaweb.eu



TK 70 CE B34

ALUMINIUM
thermal break



Against the background of increased demands in term of buglar resistance the TK70CE system claims a security level of up to safety class RC3

last update 31/01/2017

TEKLA®
porte e finestre

*Le nostre sinergie
per i tuoi progetti*



teklstyle



800219300



info@teklaweb.it



teklstyle



0818507050



www.teklaweb.eu



PERFORMANCES TK 70 CE B34

	AIR PERMEABILITY (in accordance with EN 1026 - UNI EN 12207) class 4 * - Top class: 4	ENERGY SAVING compared to cold window systems with monolithic glass: TEKLA A+  A  B  C  D  E  F  G  69%
	WATERTIGHTNESS (in accordance with EN 1027 - UNI EN 12208) class 9A ** - Top class: 9A	
	WIND RESISTANCE (in accordance with EN 12211 - UNI EN 12210) class C4 * - Top class: C5	
	THERMAL TRANSMITTANCE (in accordance with UNI EN ISO 10077/1-2) UF central: = 3,01 W/m²K*** UF lateral: = 2,97 W/m²K*** Uw: = 1,98 W/m²K****	
	BURGLAR RESISTANCE (UNI EN 1627 e 1630) class = RC 3*****	

* Test report n. 204550 by ISTITUTO GIORDANO S.p.A. **Test report 1220/2010-B by ISTDIL S.p.A. Size window: 2544x2444 mm with 3 leafs ***Test report n. 0970 - CPD-RP0289 by ITC Milano on 03/09/2007. ****Size window: mm 1280x1430 with 2 leafs and glass Ug = 0,9 W/m²K (In accordance with par. 3.4 of UNI EN A 14351-1/2010 from TK 70 CE B24 to TK 70 CE B34)

TECHNICAL FEATURES

SIZE

Fix frame: mm 82
 Mobile frame: mm 182
 Overlapping : mm 6
 Glass top tongue: mm 22

THERMAL TREATMENT

Strength property T5

HARDWARE

Euro groove

SEALING SYSTEM

Drainage system and central EPDM gasket (Dutral)

THERMAL BREAK

Polyamide bar reinforced with fiberglass
 Total height mm 34, thickness mm 1,8

GLASS

Thickness: Min. mm 33 Max. mm 57
 recommended glass: 33.24s - 15 argon - 33.2 Ug=0,8 W/m²K

ALUMINIUM

Extruded in alloy EN AW 6060
 Colors RAL; Wood effects (Sublimation or powder coated); Oxidised.
 Painting with polyester powder. In accordance with (a)

OPENING TYPES

Side hung, pivoted, Wasistas, arco, fuori-squadro, sliding, tilt and turn

PROFILE CUTTING

Frame: aluminium at 45°

DESIGN

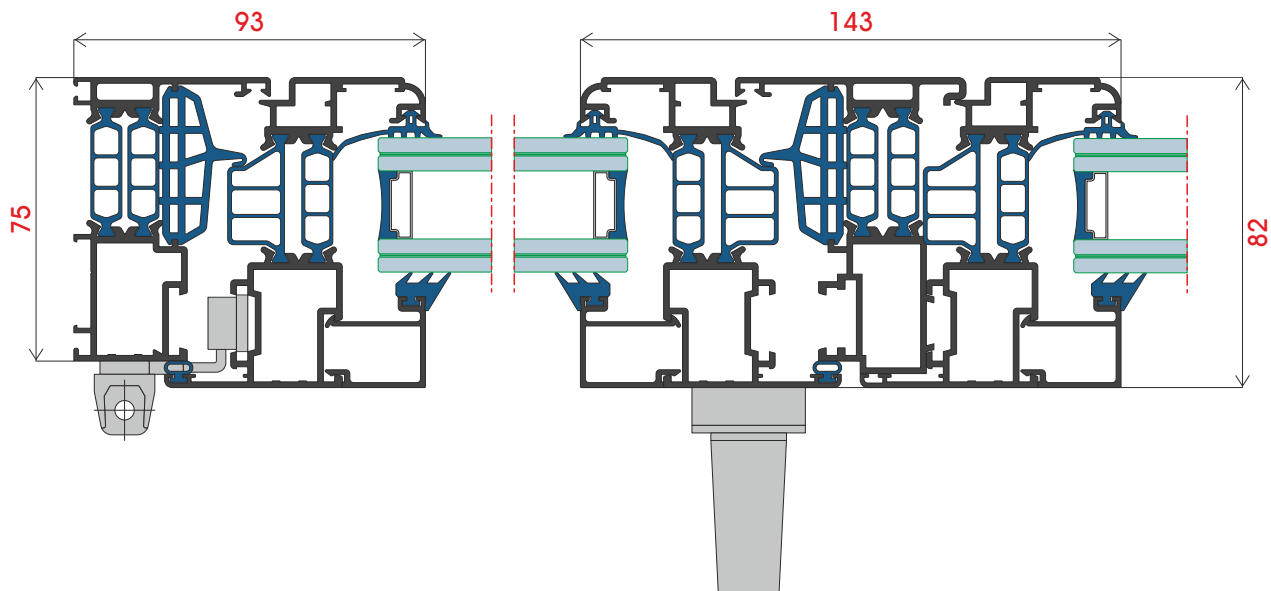
mobile leafs with outer radius

GLAZING BEADS

leaf insert

(a) UNI EN 12206-1:2005 Paints and Vernishes – Uni 3952 Aluminium and aluminium alloys.

(b) UNI 8662 – Wood treatment Uni EN 942:2007 Wood quality general classification. Wood from sustainable forests.



LATERAL AND CENTRAL SECTION scale 1:2

TK 70 CE B24

ALUMINIUM
thermal break









Particularly suitable for public administration buildings, such as schools and hospitals, the TK70 system, with 16 or 24 mm bar, gets a burglar resistance up to class RC3

last update 31/01/2017

TEKLA[®]
porte e finestre

*Le nostre sinergie
per i tuoi progetti*

 [teklstyle](#)  800219300  info@teklaweb.it
 [teklstyle](#)  0818507050  www.teklaweb.eu



PERFORMANCES TK 70 CE B24



AIR PERMEABILITY (in accordance with EN 1026 - UNI EN 12207)
class 4 * - Top class: 4



WATERTIGHTNESS (in accordance with EN 1027 - UNI EN 12208)
class 9A ** - Top class: 9A



WIND RESISTANCE (in accordance with EN 12211 - UNI EN 12210)
class C4 * - Top class: C5

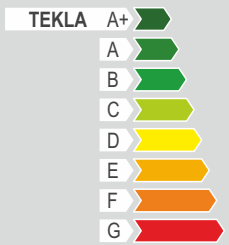


THERMAL TRANSMITTANCE (in accordance with UNI EN ISO 10077/1-2)
UF central: = 3,01 W/m²K***
UF lateral: = 2,97 W/m²K***
Uw: = 1,98 W/m²K****



BURGLAR RESISTANCE (UNI EN 1627 e 1630)
class = RC 3*****

ENERGY SAVING
compared to cold window systems
with monolithic glass:



63%

* Test report n. 204550 by ISTITUTO GIORDANO S.p.A. **Test report 1220/2010-B by ISTEDIL S.p.A. Size window: 2544x2444 mm with 3 leaves ***Test report n. 0970 - CPD-RP0289 by ITC Milano on 03/09/2007. ****Size window: mm 1280x1430 with 2 leaves and glass Ug = 0,9 W/m²K

TECHNICAL FEATURES

SIZE

Fix frame: mm 65
Mobile frame: mm 72

Overlapping : mm 6
Glass top tongue: mm 22

GLASS

Thickness: Min. mm24 Max. mm 38
recommended glass: 33.2 - 15 - 33.2 Ug
= 1,0 W/m²K

THERMAL TREATMENT

Strength property T5

ALUMINIUM

Extruded in alloy EN AW 6060
Colors RAL; Wood effects
(Sublimation or powder coated);
Oxidised.
Painting with polyester powder.
In accordance with (a)

HARDWARE

Euro groove

OPENING TYPES

Side hung, pivoted, Wasistas, arco,
fuori-squadro, sliding, tilt and turn

GLAZING BEADS

leaf insert

SEALING SYSTEM

Drainage system and central EPDM
gasket (Dutral)

PROFILE CUTTING

Frame: aluminium at 45°

THERMAL BREAK

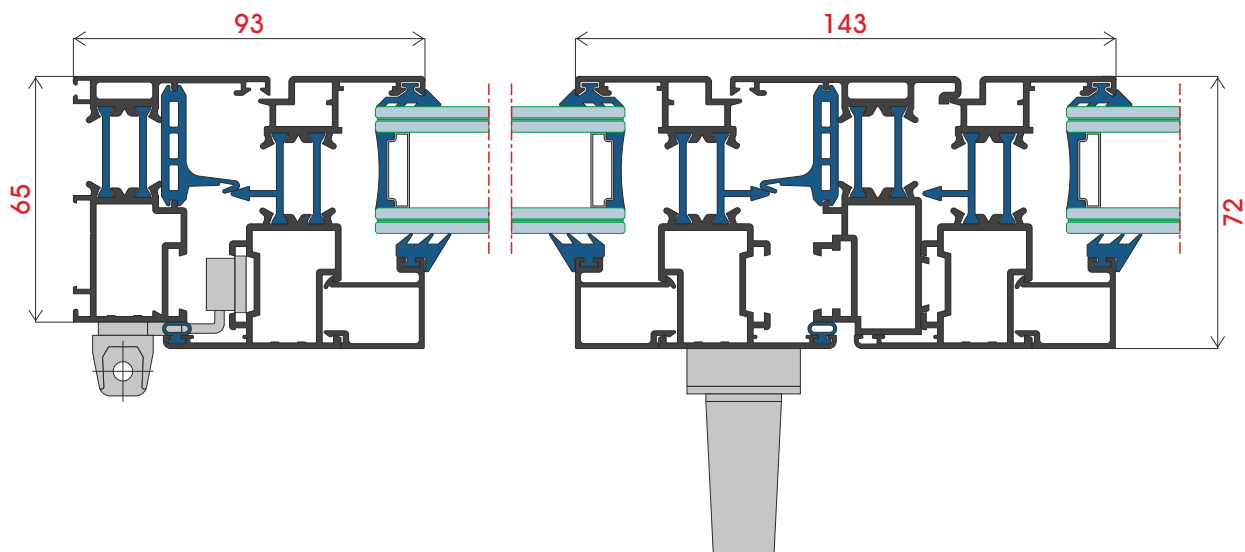
Polyamide bar reinforced with
fibreglass
Total height mm 34, thickness
mm1,8

DESIGN

mobile leaves with outer radius

(a) UNI EN 12206-1:2005 Paints and Vernishes – Uni 3952 Aluminium and aluminium alloys.

(b) UNI 8662 – Wood treatment Uni EN 942:2007 Wood quality general classification. Wood from sustainable forests.



LATERAL AND CENTRAL SECTION scale 1:2

TK 70 CE B16

ALUMINIUM
thermal break



Particularly suitable for public administration buildings, such as schools and hospitals, the TK70 system, with 16 or 24 mm bar, gets a burglar resistance up to class WK3

*in the picture is reported the TK70 CE B24 system, available also with 16 or 24 mm bar

last update 31/01/2017

TEKLA[®]
porte e finestre

*Le nostre sinergie
per i tuoi progetti*



teklstyle



800219300



info@teklaweb.it



teklstyle



0818507050



www.teklaweb.eu



PERFORMANCES TK 70 CE B16

	AIR PERMEABILITY (in accordance with EN 1026 - UNI EN 12207) class 4* - Top class: 4	ENERGY SAVING compared to cold window systems with monolithic glass: TEKLA A+  63%
	WATERTIGHTNESS (in accordance with EN 1027 - UNI EN 12208) class 9A* - Top class: 9A	
	WIND RESISTANCE (in accordance with EN 12211 - UNI EN 12210) class B3* - Top class: C5	
	THERMAL TRANSMITTANCE (in accordance with UNI EN ISO 10077/1-2) UF central: = 3,54 W/m²K** UF lateral: = 3,55 W/m²K** Uw: = 2,2 W/m²K***	
	BURGLAR RESISTANCE (UNI EN 1627 e 1630) class = RC 3****	

* Test report n. 1220/2010-B by ISTDIL S.p.a. - ** Test report n. 0970 - CPD-RP0292 by ITC Milano. ***Size window: mm 1280x1430 with 2 leaves and glass Ug = 1,0 W/m²K

TECHNICAL FEATURES

SIZE

Fix frame: mm 57
 Mobile frame: mm 64
 Joint between wood strips: mm 5
 overlapping : mm 6
 Glass top tongue: mm 22

GLASS

Thickness: Min. mm16 Max. mm30
 recommended glass: 33.2 - 15 - 33.2 Ug
 = 1,1 W/m²K

THERMAL TREATMENT

Strength property T5

ALUMINIUM

Extruded in alloy EN AW 6060
 Colors RAL; Wood effects
 (Sublimation or powder coated);
 Oxidised.
 Painting with polyester powder.
 In accordance with (a)

HARDWARE

Euro groove

OPENING TYPES

Side hung, pivoted, Wasistas, arco,
 fuori-squadro, sliding, tilt and turn

GLAZING BEADS

leaf insert

SEALING SYSTEM

Drainage system and central EPDM
 gasket (Dutral)

PROFILE CUTTING

Frame: aluminium at 45°
 Leaf: aluminium at 45°
 Wood at 45° and 90°

THERMAL BREAK

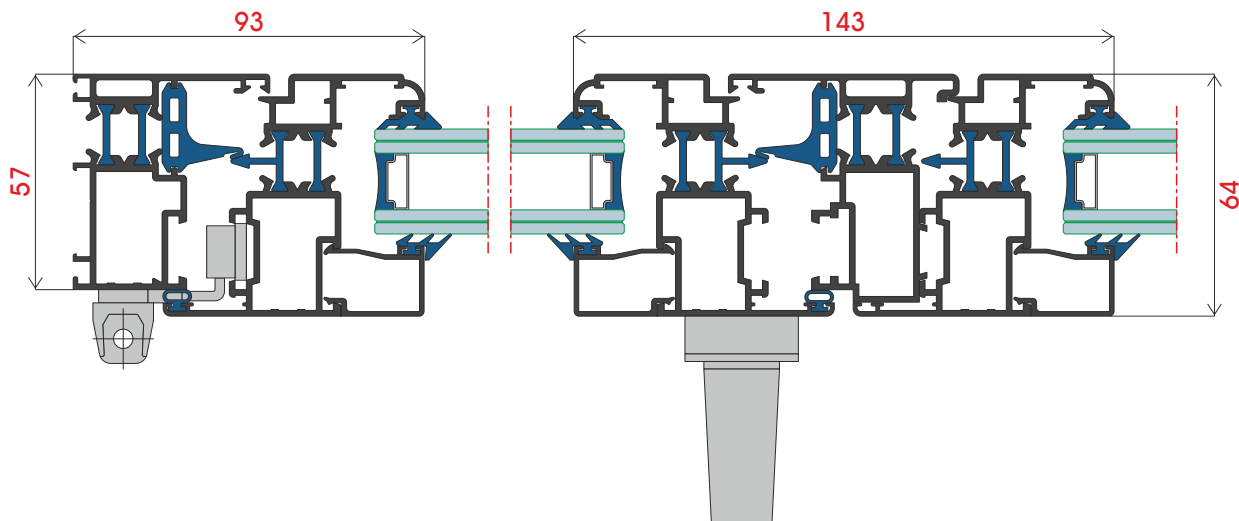
Polyamide bar reinforced with
 fibreglass
 Total height mm 16 and 12,
 thickness mm1,8

DESIGN

mobile leaves with outer radius

(a) UNI EN 12206-1:2005 Paints and Vernishes – Uni 3952 Aluminium and aluminium alloys.

(b) UNI 8662 – Wood treatment Uni EN 942:2007 Wood quality general classification. Wood from sustainable forests.



LATERAL AND CENTRAL SECTION scale 1:2

TK 70 FP B34



ALUMINIUM
thermal break

The variety of design options with high-quality surface finishes make this system much in demand

last update 31/01/2017

TEKLA®
porte e finestre

*Le nostre sinergie
per i tuoi progetti*



teklstyle



800219300



info@teklaweb.it



teklstyle



0818507050



www.teklaweb.eu



PERFORMANCES TK 70 FP B34



AIR PERMEABILITY (in accordance with EN 1026 - UNI EN 12207)
class 3* - Top class: 4



WATERTIGHTNESS (in accordance with EN 1027 - UNI EN 12208)
class 9A* - Top class: 9A

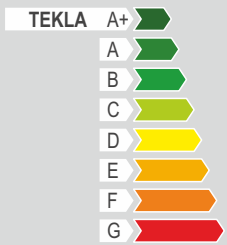


WIND RESISTANCE (in accordance with EN 12211 - UNI EN 12210)
class C5* - Top class: C5



THERMAL TRANSMITTANCE (in accordance with UNI EN ISO 10077/1-2)
UF central: = 2,22 W/m²K**
UF lateral: = 2,26 W/m²K**
Uw: = 1,28 W/m²K***

ENERGY SAVING
compared to cold window systems
with monolithic glass:



74%

* Test report n. 204549 by ISTITUTO GIORDANO S.p.A. ** In accordance with UNI EN ISO 10077/2 ***In accordance with UNI EN ISO 10077/1 Size window: mm 1230x1480 with 1 leaf and glass Ug = 0,6 W/m²K (In accordance with par. 3.4 of UNI EN A 14351-1/2010 from TK 70 FP b24 to TK 70 FP b34)

TECHNICAL FEATURES

SIZE

Fix frame: mm 82
Mobile frame: mm 52
Overlapping : mm 6
Glass top tongue: mm 22

THERMAL TREATMENT

Strength property T5

HARDWARE

Perimetric

SEALING SYSTEM

Drainage system and central EPDM gasket (Dutral)

THERMAL BREAK

Polyamide bar reinforced with fibreglass
Total height mm 34, thickness mm 1,8

GLASS

Thickness: Min. mm 33 Max. mm 57
recommended glass: 4s-18 argon - 44.2 Ug = 1,1 W/m²K

ALUMINIUM

Extruded in alloy EN AW 6060
Colors RAL; Wood effects
(Sublimation or powder coated);
Oxidised.
Painting with polyester powder.
In accordance with (a)

OPENING TYPES

Side hung, pivoted, Wasistas, arco, fuori-squadro, sliding, tilt and turn

PROFILE CUTTING

Frame: aluminium at 45°

DESIGN

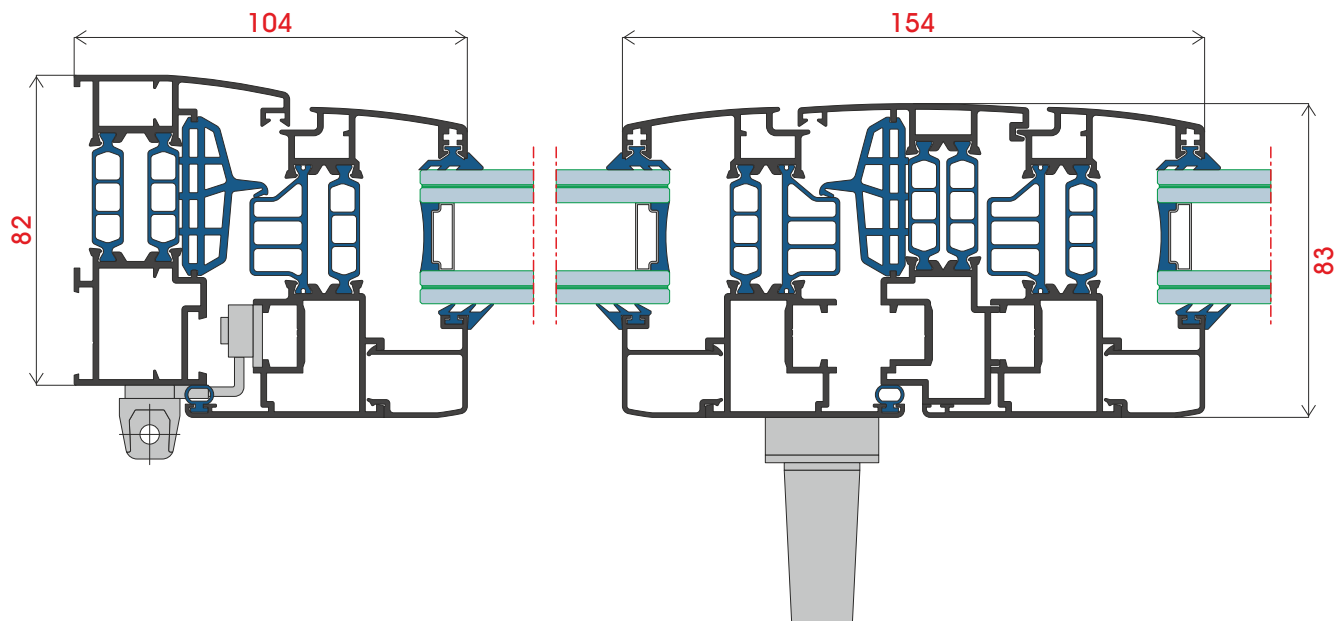
mobile leaves with outer radius

GLAZING BEADS

leaf insert

(a) UNI EN 12206-1:2005 Paints and Vernishes – Uni 3952 Aluminium and aluminium alloys.

(b) UNI 8662 – Wood treatment Uni EN 942:2007 Wood quality general classification. Wood from sustainable forests.



LATERAL AND CENTRAL SECTION scale 1:2

TEKLA
porte e finestre

*Le nostre sinergie
per i tuoi progetti*



teklastyle



800219300



info@teklaweb.it



teklastyle



0818507050



www.teklaweb.eu



TK 70 FP B24



ALUMINIUM
thermal break

Up to 58% of energy can be saved by thermal technology with the TK70FP profile system, available with 16 or 24 mm bar.

last update 31/01/2017

TEKLA®
porte e finestre

*Le nostre sinergie
per i tuoi progetti*



teklstyle



800219300



info@teklaweb.it



teklstyle



0818507050



www.teklaweb.eu



PERFORMANCES TK 70 FP B24



AIR PERMEABILITY (in accordance with EN 1026 - UNI EN 12207)
class 3* - Top class: 4



WATERTIGHTNESS (in accordance with EN 1027 - UNI EN 12208)
class 9A* - Top class: 9A

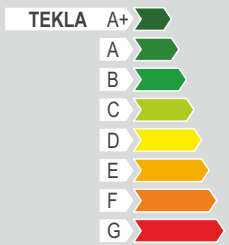


WIND RESISTANCE (in accordance with EN 12211 - UNI EN 12210)
class C5* - Top class: C5



THERMAL TRANSMITTANCE (in accordance with UNI EN ISO 10077/1-2)
UF central: = 3,08 W/m²K**
UF lateral: = 3,10 W/m²K**
Uw: = 2,2 W/m²K**

ENERGY SAVING
compared to cold window systems
with monolithic glass:



58%

* Test report n. 204549 by ISTITUTO GIORDANO S.p.A. ** Test report n. 0970 - CPD-RP0290 by ITC Milano. Size window: mm 1280x1430 with 2 leaves and glass Ug = 1,0 W/m²K

TECHNICAL FEATURES

SIZE

Fix frame: mm 72
Mobile frame: mm 64

Overlapping : mm 6
Glass top tongue: mm 22

GLASS

Thickness: Min. mm23 Max. mm47
recommended glass: 33.1 - 15 - 33.1 Ug
= 1,1 W/m²K

THERMAL TREATMENT

Strength property T5

ALUMINIUM

Extruded in alloy EN AW 6060
Colors RAL; Wood effects
(Sublimation or powder coated);
Oxidised.
Painting with polyester powder.
In accordance with (a)

HARDWARE

Perimetric

OPENING TYPES

Side hung, pivoted, Wasistas, arco,
fuori-squadro, sliding, tilt and turn

GLAZING BEADS

leaf insert

SEALING SYSTEM

Drainage system and central EPDM
gasket (Dutral)

PROFILE CUTTING

Frame: aluminium at 45°

THERMAL BREAK

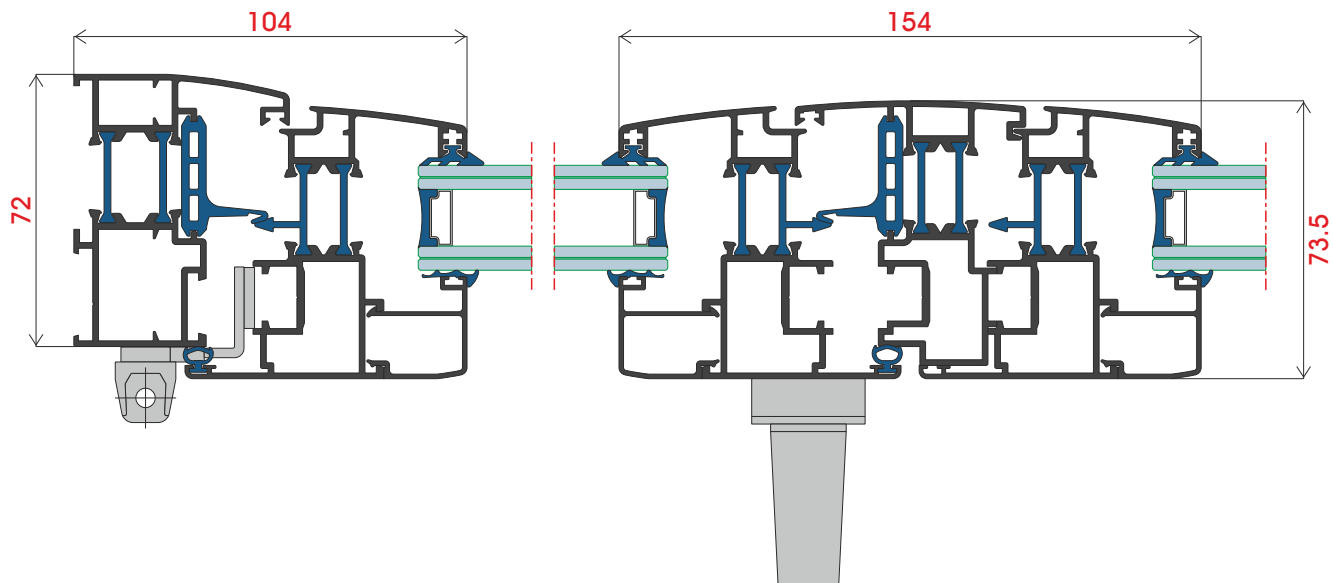
Polyamide bar reinforced with
fibreglass
Total height mm 24, thickness
mm1,8

DESIGN

mobile leaves with outer radius

(a) UNI EN 12206-1:2005 Paints and Vernishes – Uni 3952 Aluminium and aluminium alloys.

(b) UNI 8662 – Wood treatment Uni EN 942:2007 Wood quality general classification. Wood from sustainable forests.



LATERAL AND CENTRAL SECTION scale 1:2

TEKLA
porte e finestre

*Le nostre sinergie
per i tuoi progetti*



teklastyle



800219300



info@teklaweb.it



teklastyle



0818507050



www.teklaweb.eu



TK 70 FP B16



ALUMINIUM
thermal break

Up to 58% of energy can be saved by thermal technology with the TK70FP profile system, available with 16 or 24 mm bar.

*in the picture is reported the TK70 FP B24 system, available also with 16 or 24 mm bar

TEKLA[®]
porte e finestre

*Le nostre sinergie
per i tuoi progetti*



teklstyle



800219300



info@teklaweb.it



teklstyle



0818507050



www.teklaweb.eu

last update 31/01/2017



PERFORMANCES TK 70 FP B16



AIR PERMEABILITY (in accordance with EN 1026 - UNI EN 12207)
class 3 * - Top class: 4



WATERTIGHTNESS (in accordance with EN 1027 - UNI EN 12208)
class 8A * - Top class: 9A

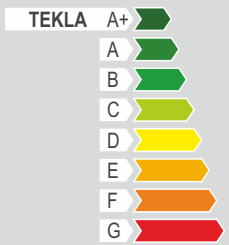


WIND RESISTANCE (in accordance with EN 12211 - UNI EN 12210)
classe C3 * - Top class: C5



THERMAL TRANSMITTANCE (in accordance with UNI EN ISO 10077/1-2)
UF central: = 3,58 W/m²K**
UF lateral: = 3,55 W/m²K**
Uw: = 2,3 W/m²K**

ENERGY SAVING
compared to cold window systems
with monolithic glass:



58%

* Test report n. 204548 by ISTITUTO GIORDANO S.p.A. ** Test report n. 0970 - CPD-RP0293 dell'ITC Milano. Size window: mm 1280x1505 with 2 leaves and glass Ug = 1,0 W/m²K con WarmEdge

TECHNICAL FEATURES

SIZE

Fix frame: mm 64
Mobile frame: mm 64

Overlapping : mm 6
Glass top tongue: mm 22

GLASS

Thickness: Min. mm15 Max. mm39
raccomandato glass: 33.1 - 15 - 33.1 Ug
= 1,1 W/m²K

THERMAL TREATMENT

Strength property T5

ALUMINIUM

Extruded in alloy EN AW 6060
Colors RAL; Wood effects
(Sublimation or powder coated);
Oxidised.
Painting with polyester powder.
In accordance with (a)

HARDWARE

Perimetric

OPENING TYPES

Side hung, pivoted, Wasistas, arco,
fuori-squadro, sliding, tilt and turn

GLAZING BEADS

leaf insert

SEALING SYSTEM

Drainage system and central EPDM
gasket (Dutral)

PROFILE CUTTING

Frame: aluminium at 45°

THERMAL BREAK

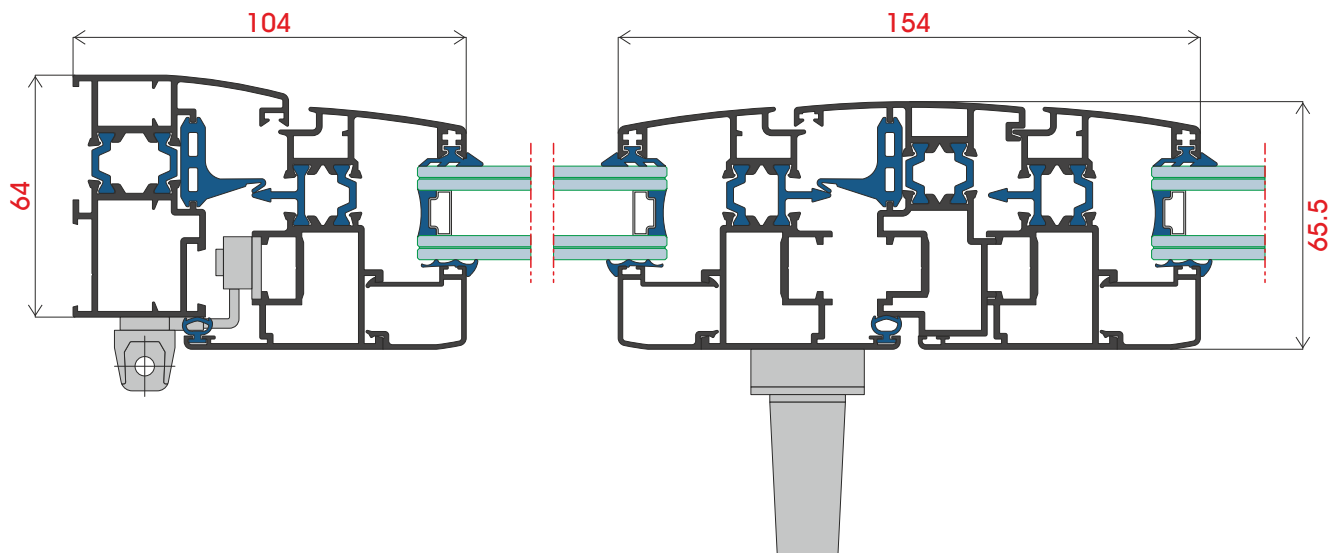
Polyamide bar reinforced with
fibreglass
Total height mm 16, thickness
mm1,8

DESIGN

mobile leaves with outer radius

(a) UNI EN 12206-1:2005 Paints and Vernishes – Uni 3952 Aluminium and aluminium alloys.

(b) UNI 8662 – Wood treatment Uni EN 942:2007 Wood quality general classification. Wood from sustainable forests.



LATERAL AND CENTRAL SECTION scale 1:2

TEKLA
porte e finestre

*Le nostre sinergie
per i tuoi progetti*



teklstyle



800219300



info@teklaweb.it



teklstyle



0818507050



www.teklaweb.eu



TK 110 SLIDE

ALUMINIUM
thermal break



The slide system TK110 required minimal space and thermal insulation values are guaranteed

last update 31/01/2017

PERFORMANCES TK 110 SLIDE

	AIR PERMEABILITY (in accordance with EN 1026 - UNI EN 12207) class 3 * - Top class: 4	ENERGY SAVING compared to cold window systems with monolithic glass: A+  TEKLA A  B  C  D  E  F  G  54%
	WATERTIGHTNESS (in accordance with EN 1027 - UNI EN 12208) class 7A * - Top class: 9A	
	WIND RESISTANCE (in accordance with EN 12211 - UNI EN 12210) class A4 * - Top class: C5	
	THERMAL TRANSMITTANCE (in accordance with UNI EN ISO 10077/1-2) UF central: = 3,5 W/m²K** UF superiore: = 3,33 W/m²K** UF lateral: = 3,18 W/m²K** = 3,33 W/m²K**	
	ACOUSTIC INSULATION Rw = 28 (-1;-2) dB**	

* Test report n. 1032/2015 by ISTDIL S.p.A. ** Test report n. 1032/2015A by ISTDIL S.p.A. Size window: mm 1280x1430 with 2 sliding leaves and glass Ug = 1,0 W/m²K with WarmEdge

TECHNICAL FEATURES

SIZE

Fix frame: mm110
Mobile frame: mm 78
Overlapping : mm 10
Glass top tongue: mm 22

GLASS

Thickness: mm29
raccomended glass:33.24s- 15 argon-
33.2 Ug=1,0W/m²K

THERMAL TREATMENT

Strength property T5

ALUMINIUM

Extruded in alloy EN AW 6060
Colors RAL; Wood effects
(Sublimation or powder coated);
Oxidised.
Painting with polyester powder.
In accordance with (a)

HARDWARE

Perimetric

OPENING TYPES

Slide opening 2 leaves

GLAZING BEADS

leaf insert

SEALING SYSTEM

Drainage system and central EPDM
gasket (Dutral)

PROFILE CUTTING

Frame: aluminium at 45°

THERMAL BREAK

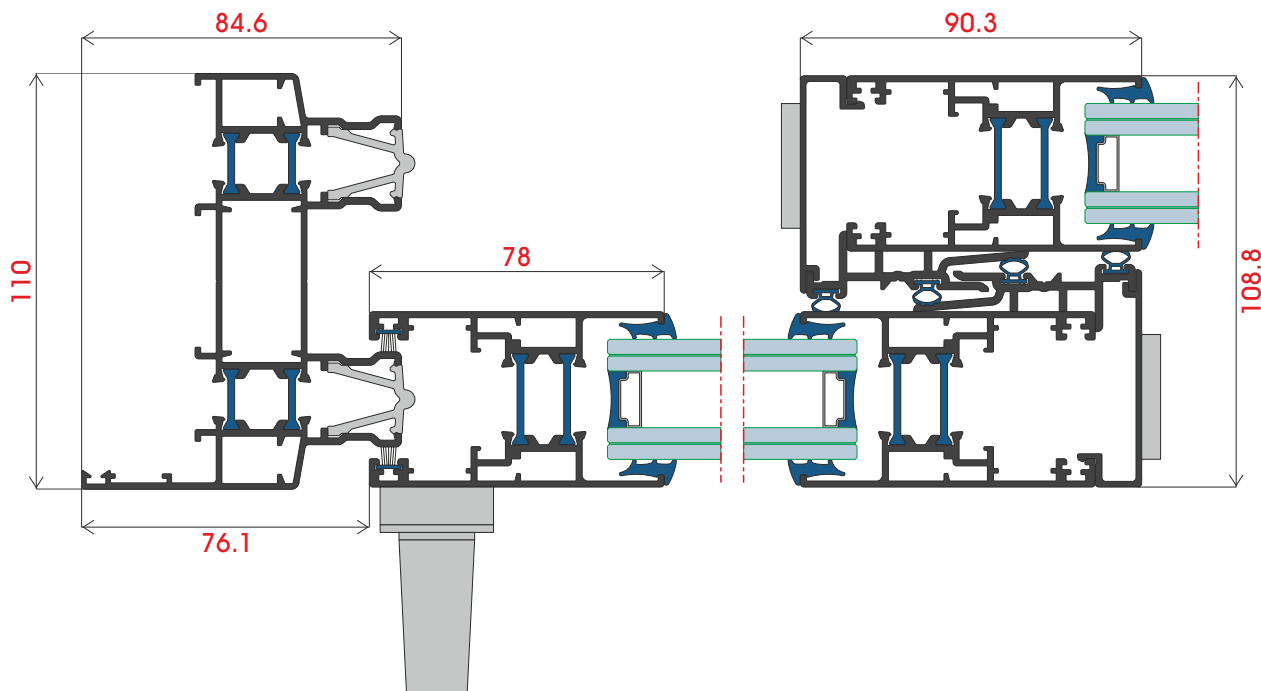
Polyamide bar reinforced with
fibreglass
Total height mm 24, thickness
mm1,8

DESIGN

mobile leaves with outer radius

(a) UNI EN 12206-1:2005 Paints and Vernishes – Uni 3952 Aluminium and aluminium alloys.

(b) UNI 8662 – Wood treatment Uni EN 942:2007 Wood quality general classification. Wood from sustainable forests.



LATERAL AND CENTRAL SECTION scale 1:2

TK 70 INDUSTRIALE B24



ALUMINIUM
thermal break

Aluminium features such as lightness, weathering resistance and low maintenance guarantee a lot of benefit. Tk70 industrial is a high-quality system with a comprehensive range of solutions specially for industrial buildings

last update 31/01/2017

TEKLA[®]
porte e finestre

*Le nostre sinergie
per i tuoi progetti*



teklastyle



800219300



info@teklaweb.it



teklastyle



0818507050



www.teklaweb.eu



PERFORMANCES TK 70 industrial b24



AIR PERMEABILITY (in accordance with EN 1026 - UNI EN 12207)
class 4 * - Top class: 4



WATERTIGHTNESS (in accordance with EN 1027 - UNI EN 12208)
class 9A ** - Top class: 9A

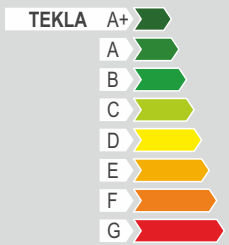


WIND RESISTANCE (in accordance with EN 12211 - UNI EN 12210)
class C4 * - Top class: C5



THERMAL TRANSMITTANCE (in accordance with UNI EN ISO 10077/1-2)
UF central: = 3,01 W/m²K***
UF lateral: = 2,97 W/m²K***
Uw: = 1,98 W/m²K****

ENERGY SAVING
compared to cold window systems
with monolithic glass:



63%

* Test report n. 204550 by ISTITUTO GIORDANO S.p.A. **Test report 1220/2010-B by ISTDIL S.p.A. Size windw 2544x2444 mm with 3 leafs***Test report n. 0970 - CPD-RP0289 dell'ITC Milano on 03/09/2007. ****Size window: mm 1280x1430 with 2 leaf and glass Ug = 0,9 W/m²K

TECHNICAL FEATURES

SIZE

Fix frame: mm 65
Mobile frame: mm 72
Overlapping : mm 6
Glass top tongue: mm 22

GLASS

Thickness: Min. mm 24 Max. mm38
raccomendato glass: 3324s - 15 argon -
332 Ug=1,0W/m²K

THERMAL TREATMENT

Strength property T5

ALUMINIUM

Extruded in alloy EN AW 6060
Colors RAL; Wood effects
(Sublimation or powder coated);
Oxidised.
Painting with polyester powder.
In accordance with (a)

HARDWARE

Euro groove

OPENING TYPES

Slide opening 2 leafs

GLAZING BEADS

leaf insert

SEALING SYSTEM

Drainage system and central EPDM
gasket (Dutral)

PROFILE CUTTING

Frame: aluminium at 45°

THERMAL BREAK

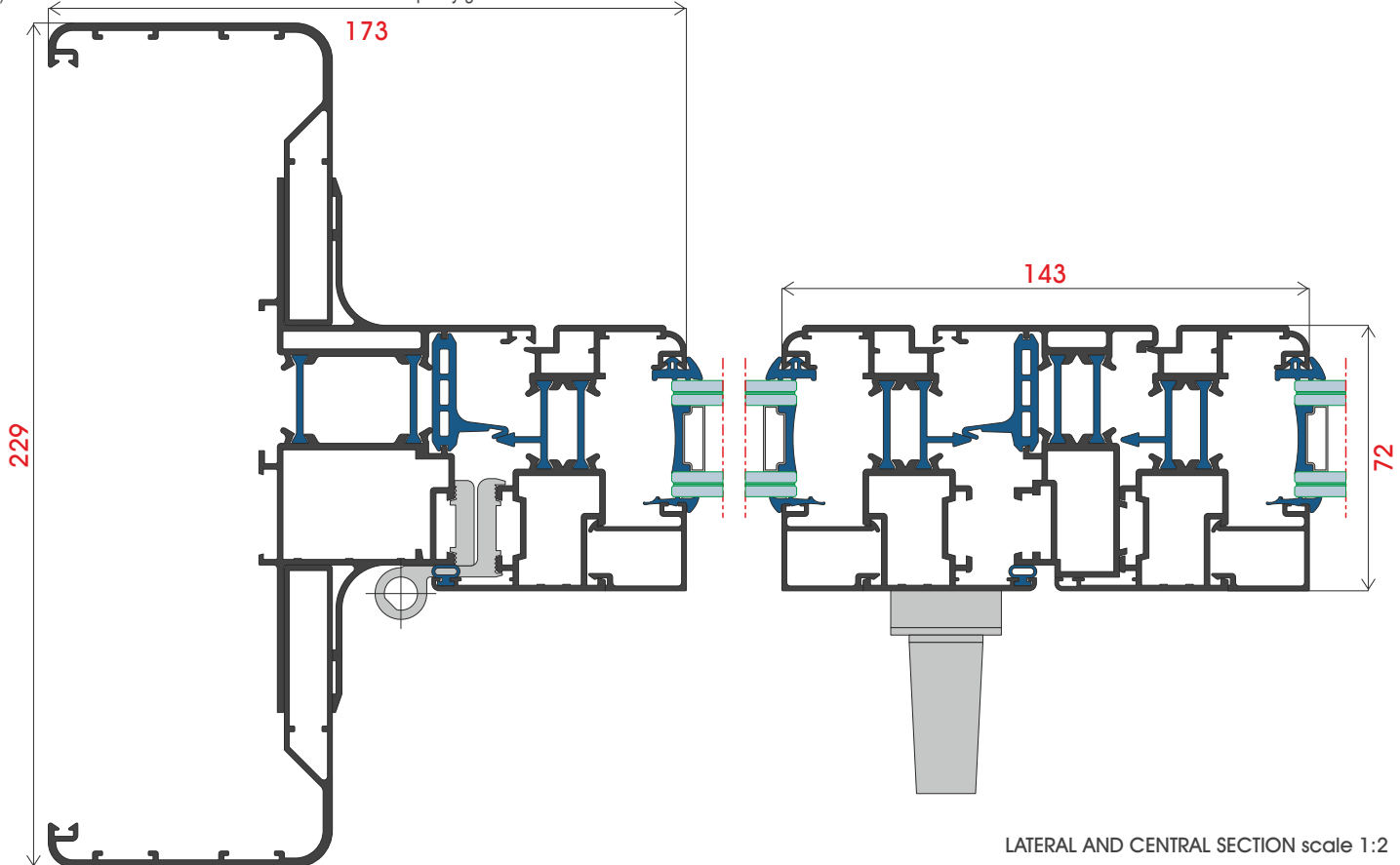
Polyamide bar reinforced with
fibreglass
Total height mm 24, thickness
mm1,8

DESIGN

mobile leafs with outer radius

(a) UNI EN 12206-1:2005 Paints and Vernishes – Uni 3952 Aluminium and aluminium alloys.

(b) UNI 8662 – Wood treatment Uni EN 942:2007 Wood quality general classification. Wood from sustainable forests.



TEKLA
porte e finestre

*Le nostre sinergie
per i tuoi progetti*



teklstyle



800219300



info@teklaweb.it



teklstyle



0818507050

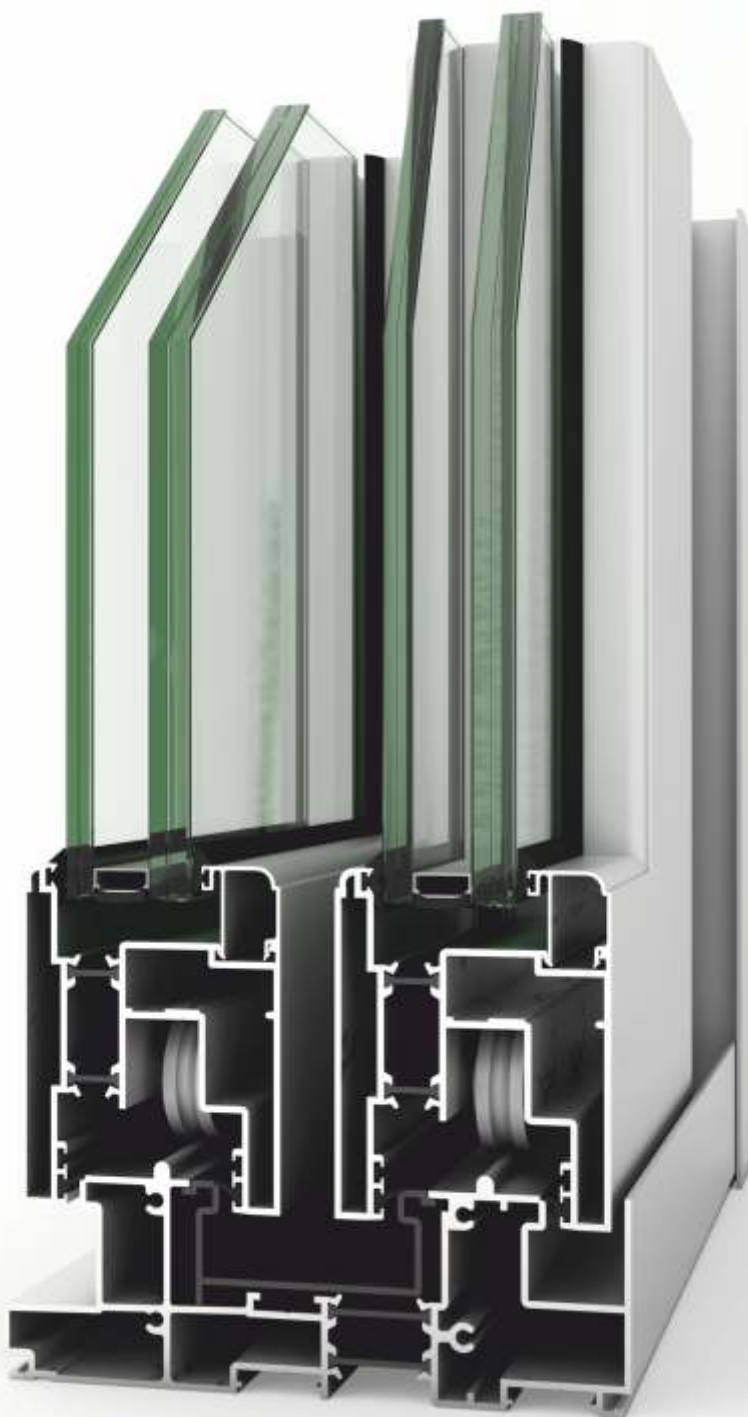


www.teklaweb.eu



TK AS190

ALUMINIUM
thermal break



The lift and slide TK As200 system allows to produce wide windows offering solutions for large and heavy units

last update 31/01/2017

TEKLA[®]
porte e finestre

*Le nostre sinergie
per i tuoi progetti*



teklstyle



800219300



info@teklaweb.it



teklstyle



0818507050



www.teklaweb.eu



PERFORMANCES TK AS190



AIR PERMEABILITY (in accordance with EN 1026 - UNI EN 12207)
class 3* - Top class: 4



WATERTIGHTNESS (in accordance with EN 1027 - UNI EN 12208)
class 8A* - Top class: 9A

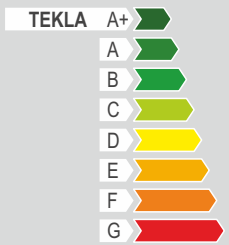


WIND RESISTANCE (in accordance with EN 12211 - UNI EN 12210)
class C5* - Top class: C5



THERMAL TRANSMITTANCE (in accordance with UNI EN ISO 10077/1-2)
UF central: = 5,75 W/m²K**
UF lateral: = 3,42 W/m²K**
Uw: = 1,98 W/m²K**

ENERGY SAVING
compared to cold window systems
with monolithic glass:



72%

* Test report n. 204546 by Istituto Giordano S.p.A. **Test report n. 0970 - CPD-RP0295 by ITC Milano. Size window: mm 3000x2200 with 2 leaf and glass Ug = 1,1 W/m²K

TECHNICAL FEATURES

SIZE

Fix frame: mm 190
Mobile frame: mm 79

Overlapping : mm 10
Glass top tongue: mm 22

GLASS

Thickness: Min. mm 32 Max. mm 47
recommended glass: 33.14s -20 argon-
33.1 Ug=1,1 W/m²K

THERMAL TREATMENT

Strength property T5

ALUMINIUM

Extruded in alloy EN AW 6060
Colors RAL; Wood effects
(Sublimation or powder coated);
Oxidised.
Painting with polyester powder.
In accordance with (a)

HARDWARE

Perimetric

OPENING TYPES

Slide opening 2 leaves

GLAZING BEADS

leaf insert

SEALING SYSTEM

Drainage system and central EPDM
gasket (Dutral)

PROFILE CUTTING

Frame: aluminium at 45°
Leaf: 45°

THERMAL BREAK

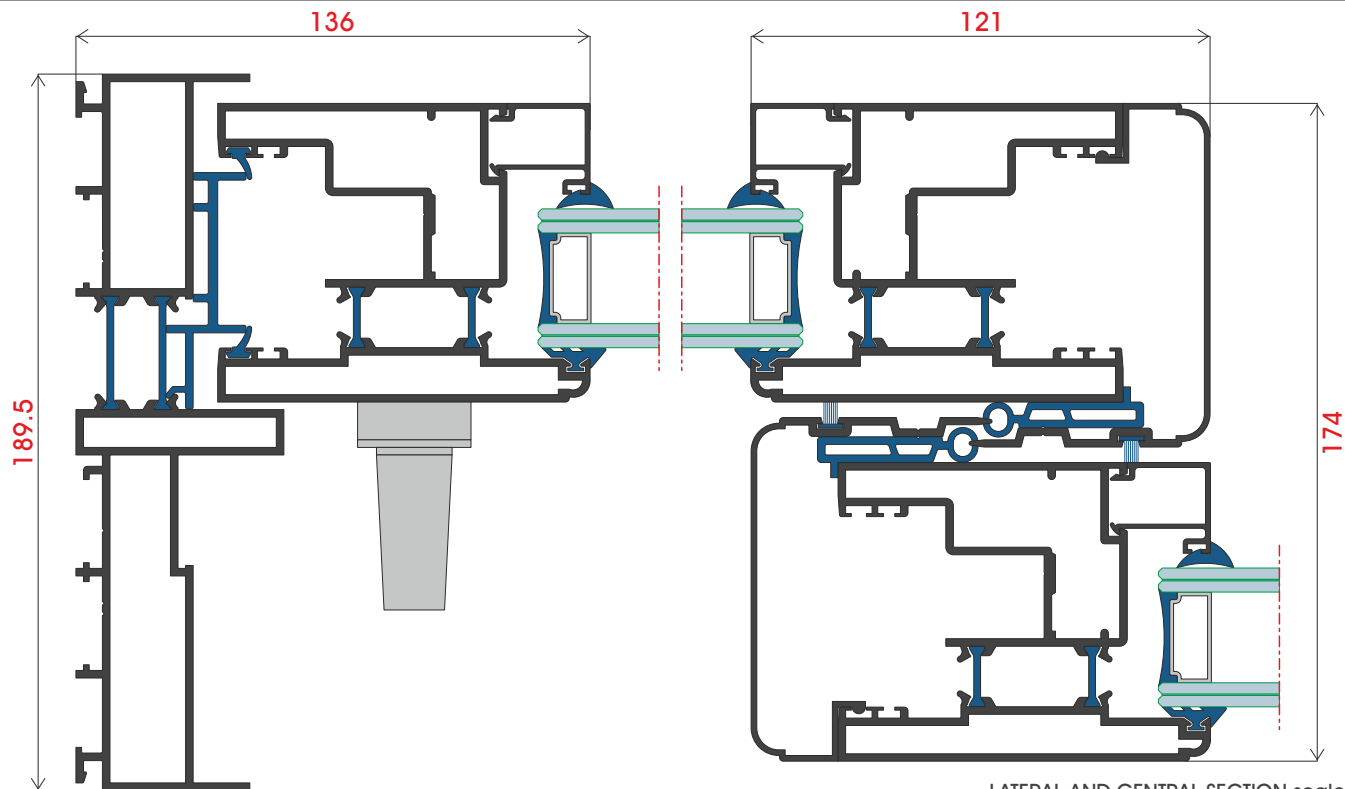
Polyamide bar reinforced with
fibreglass
Total height mm30 for fix frame and
mm16 for mobile frame

DESIGN

mobile leaves with outer radius

(a) UNI EN 12206-1:2005 Paints and Vernishes – Uni 3952 Aluminium and aluminium alloys.

(b) UNI 8662 – Wood treatment Uni EN 942:2007 Wood quality general classification. Wood from sustainable forests.



LATERAL AND CENTRAL SECTION scale 1:2



TK 70 SOLARIS



ALUMINIUM
thermal break

The TK 70 solaris system is ideal for any demand in term of design and comfort . the variety in opening options maks it suitable for any field of application

last update 31/01/2017

TEKLA®
porte e finestre

*Le nostre sinergie
per i tuoi progetti*



teklstyle



800219300



info@teklaweb.it



teklstyle



0818507050



www.teklaweb.eu



PERFORMANCES TK 70 SOLARIS



AIR PERMEABILITY (in accordance with EN 1026 - UNI EN 12207)
class 4 * - Top class: 4



WATERTIGHTNESS (in accordance with EN 1027 - UNI EN 12208)
class 9A ** - Top class: 9A

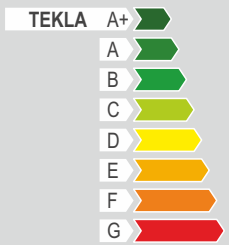


WIND RESISTANCE (in accordance with EN 12211 - UNI EN 12210)
class C4 * - Top class: C5



THERMAL TRANSMITTANCE (in accordance with UNI EN ISO 10077/1-2)
UF central: = 3,01 W/m²K***
UF lateral: = 2,97 W/m²K***
Uw: = 1,98 W/m²K****

ENERGY SAVING
compared to cold window systems
with monolithic glass:



63%

* Test report n. 204550 by ISTITUTO GIORDANO S.p.A. **Test report 1220/2010-B by ISTDIL S.p.A. Size window 2544x2444 mm with 3 leafs ***Test report n. 0970 - CPD-RP0289 by ITC Milano on 03/09/2007. ****Size window: mm 1280x1430 with 2 leafs and glass Ug = 0,9 W/m²K (In accordance with par. 3.4 of UNI EN 14351-1/2010 from TK 70 CE b 24 to Tk70 Solaris)

TECHNICAL FEATURES

SIZE

Fix frame: mm 55
Mobile frame: mm 62

Overlapping : mm 6
Glass top tongue: mm 22

GLASS

Thickness: Min. mm17 Max. mm32
recommended glass: 33.14s - 15 argon -
33.1 Ug = 1,0 W/m²K

THERMAL TREATMENT

Strength property T5

ALUMINIUM

Extruded in alloy EN AW 6060
Colors RAL; Wood effects
(Sublimation or powder coated);
Oxidised.
Painting with polyester powder.
In accordance with (a)

HARDWARE

Euro groove

OPENING TYPES

Side hung, pivoted, Wasistas, arco,
fuori-squadro, sliding, tilt and turn

GLAZING BEADS

leaf insert

SEALING SYSTEM

Drainage system and central EPDM
gasket (Dutral)

PROFILE CUTTING

Frame: aluminium at 45°

THERMAL BREAK

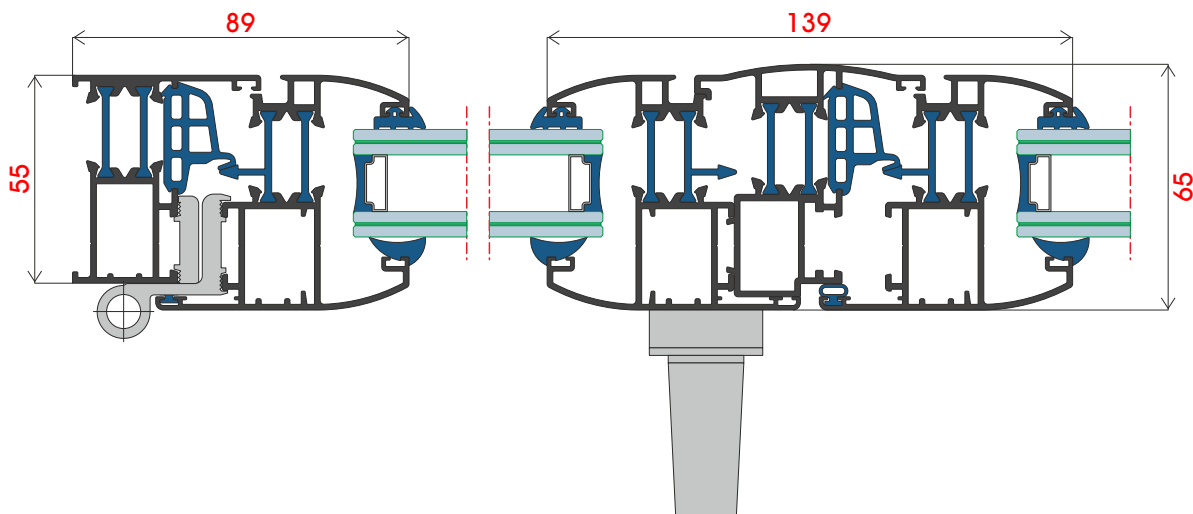
Polyamide bar reinforced with
fibreglass
Total height mm 24, thickness
mm1,8

DESIGN

mobile leafs with outer radius

(a) UNI EN 12206-1:2005 Paints and Vernishes – Uni 3952 Aluminium and aluminium alloys.

(b) UNI 8662 – Wood treatment Uni EN 942:2007 Wood quality general classification. Wood from sustainable forests.



LATERAL AND CENTRAL SECTION scale 1:2

TEKLA
porte e finestre

*Le nostre sinergie
per i tuoi progetti*



teklastyle



800219300



info@teklaweb.it



teklastyle



0818507050



www.teklaweb.eu



TK 50

ALUMINIUM



Thin and practical, the TK50 system is the most versatile solution, it fits in minimal spaces with optimised thermal insulation features

last update 31/01/2017

TEKLA®
porte e finestre

*Le nostre sinergie
per i tuoi progetti*



teklastyle



800219300



info@teklaweb.it



teklastyle



0818507050



www.teklaweb.eu



PERFORMANCES TK 50



AIR PERMEABILITY (in accordance with EN 1026 - UNI EN 12207)

class 4 * - Top class: 4



WATERTIGHTNESS (in accordance with EN 1027 - UNI EN 12208)

class 9A * - Top class: 9A



WIND RESISTANCE (in accordance with EN 12211 - UNI EN 12210)

class C5 * - Top class: C5



THERMAL TRANSMITTANCE (in accordance with UNI EN ISO 10077/1-2)

UF central: = 5,92 W/m²K

Uw: = 4,11 W/m²K



* Test report n. 0672/2003 by Istituto sperimentale per l'edilizia S.p.A. - Size Window: mm 1280x1505 a with 2 leafs and glass Ug = 1,1 W/m²K

TECHNICAL FEATURES

SIZE

Fix frame: mm 50
Mobile frame: mm 50
Overlapping : mm 6
Glass top tongue: mm 22

GLASS

Thickness: Min. mm4 Max. mm19
raccomended glass:33.1 4s-9 argon-4 Ug=3W/m²K

THERMAL TREATMENT

Strength property T5

ALUMINIUM

Extruded in alloy EN AW 6060
Colors RAL; Wood effects
(Sublimation or powder coated);
Oxidised.
Painting with polyester powder.
In accordance with (a)

OPENING TYPES

Side hung, pivoted, Wasistas, arco, fuori-squadro, sliding, tilt and turn

GLAZING BEADS

snap extruded in aluminium

SEALING SYSTEM

Drainage system and central EPDM mobile leafs with outer radius gasket (Dutral)

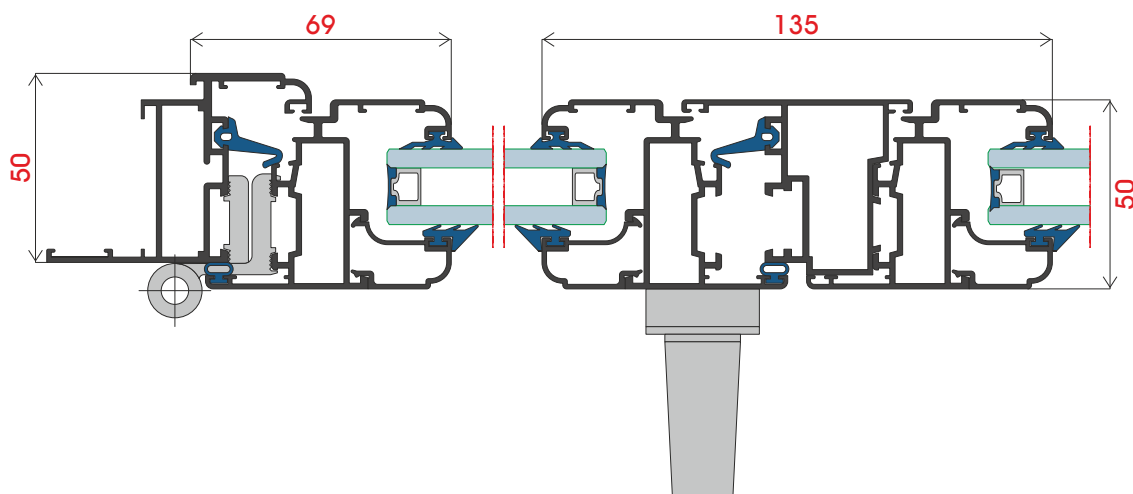
PROFILE CUTTING

Frame: aluminium at 45°

DESIGN

(a) UNI EN 12206-1:2005 Paints and Vernishes – Uni 3952 Aluminium and aluminium alloys.

(b) UNI 8662 – Wood treatment Uni EN 942:2007 Wood quality general classification. Wood from sustainable forests.



LATERAL AND CENTRAL SECTION scale 1:2

TEKLAWEB
porte e finestre

*Le nostre sinergie
per i tuoi progetti*



teklaweb



800219300



info@teklaweb.it



teklaweb



0818507050



www.teklaweb.eu



TK 50 SHUTTER



The external aluminium shutter goes perfectly with TK aluminium window systems. It is available in a wide range of colourations, and is suitable for any design requirement

last update 31/01/2017

PERFORMANCES TK 50 Shutter

In accordance with UNI EN 13659 in class 6

TECHNICAL FEATURES

SIZE

Fix frame: mm 50
Mobile frame: mm 50

THERMAL TREATMENT

Strength property T5

PROFILE CUTTING

Frame: aluminium at 45°

ALUMINIUM

Extruded in alloy EN AW 6060
Colors RAL; Wood effects
(Sublimation or powder coated);
Oxidised.
Painting with polyester powder.
In accordance with (a)

OPENING TYPES

Side hung, pivoted, Wasistas, arco,
fuori-squadro, sliding, tilt and turn

SEALING SYSTEM

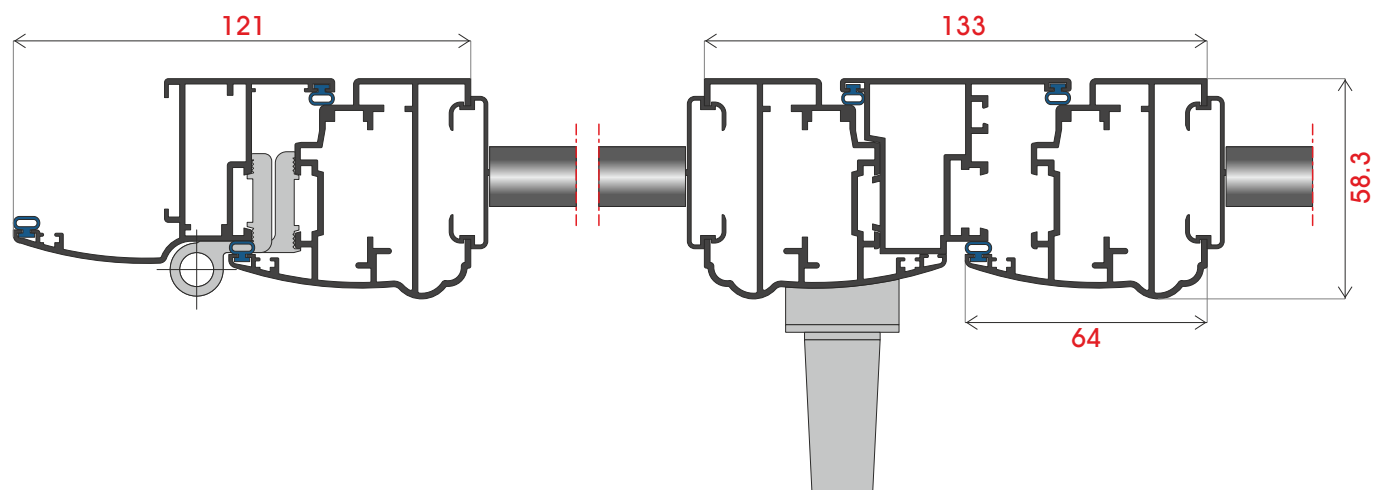
Drainage system and central EPDM
gasket (Dutral)

DESIGN

mobile leaves with outer radius

(a) UNI EN 12206-1:2005 Paints and Vernishes – Uni 3952 Aluminium and aluminium alloys.

(b) UNI 8662 – Wood treatment Uni EN 942:2007 Wood quality general classification. Wood from sustainable forests.



LATERAL AND CENTRAL SECTION scale 1:2

TK VEKA SLIDE ALZANTE



Where there is a greater need for thermal insulation the PVC Veka system is particularly suitable. It boasts outstanding thermal insulation with a $U_w < 1,2 \text{Wm}^2\text{K}$

last update 31/01/2017

PERFORMANCES TK VEKA SLIDE ALZANTE



AIR PERMEABILITY (in accordance with EN 1026 - UNI EN 12207)

class 4* - Top class: 4



WATERTIGHTNESS (in accordance with EN 1027 - UNI EN 12208)

class 7A*** - Top class: 9A



WIND RESISTANCE (in accordance with EN 12211 - UNI EN 12210)

class C2/B2* - Top class: C5



THERMAL TRANSMITTANCE (in accordance with UNI EN ISO 10077/1-2)

UF : = 1,6 W/m²K**

Uw: = 1,2 W/m²K**



ENERGY SAVING
compared to cold window systems
with monolithic glass:



82%

* Test report n. 10143695 / 1 by IFT Rosenheim. Size windows mm 4000x2300 with 1 openable leaf and 1 fix leaf **Size windows mm 4000x2300 with 1 openable leaf and 1 fix leaf: mm 4000x2300 and glass Ug = 1,0 W/m²K.

TECHNICAL FEATURES

SIZE

Fix frame: mm 170
Mobile frame: mm 70
Overlapping : mm 8
Glass top tongue: mm 22

GLASS

Thickness: Min. mm4 Max. mm19
raccomandato glass: 33.1 - 9 - 4 Ug=3
W/m²K

PVC

Quality: in accordance to UNI 12608: 2005; wall thickness class A
100% recyclable, made with organic additives of di calcium-zinc, (toxic to humans and environment)
Colors: white and ivory, bicolored, available in 52 different colors

HARDWARE

Perimetric with slide system and flow up to Kg 600 for each leaf, with reinforced system, basic kit Kg 250 for leaf
PROFILATI in ALLUMINIO per sogliola
Extruded in alloy EN AW 6060
In accordance with (a)

SEALING SYSTEM

Duble gasket system in EPDM (Dutral)

GLAZING BEADS

PVC snap-in from mm 6 to mm 40

PROFILE CUTTING

Frame: 45°
Leaf: 45°

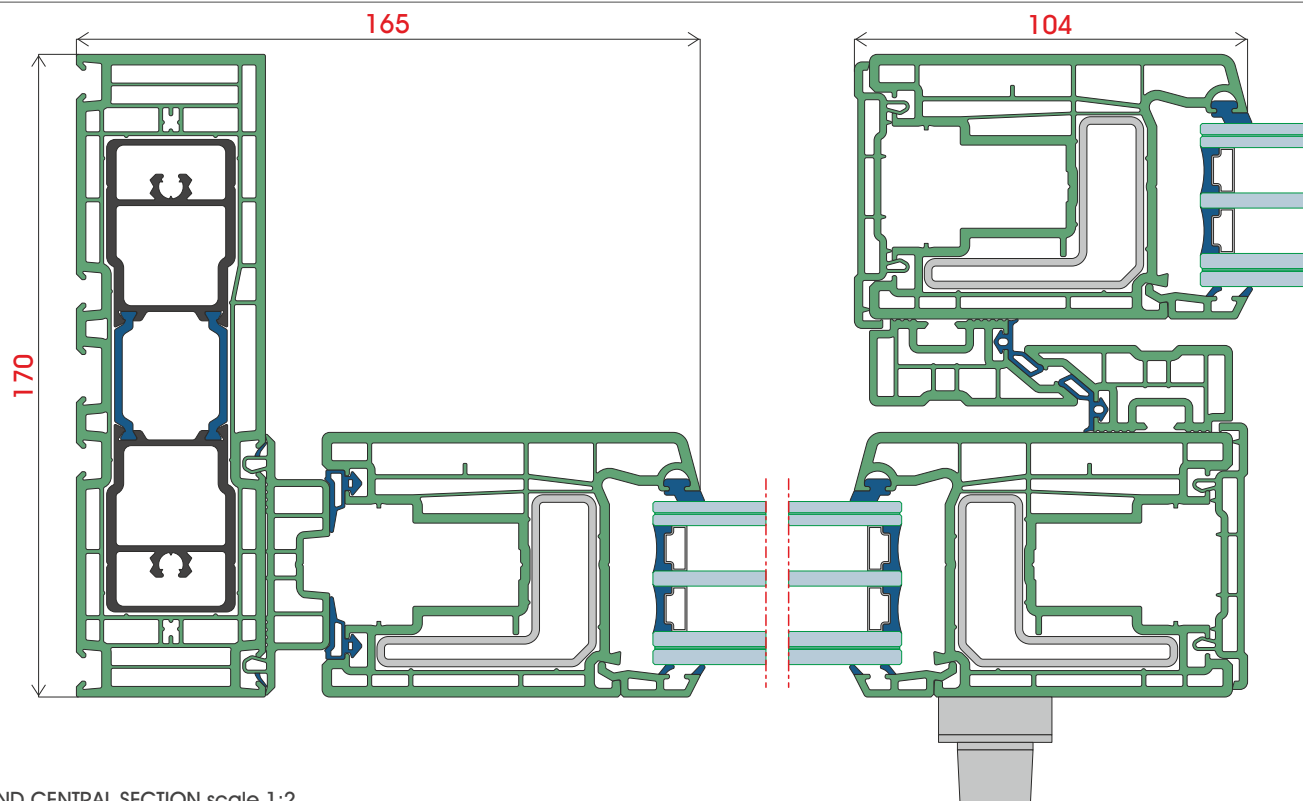
DESIGN

Anta a gradino oppure ante semi-complanare

OPENING TYPES

Lift and slide (from 1 to 4 sliding leaves)

(a) UNI EN 12206-1:2005 Paints and Vernishes – Uni 3952 Aluminium and aluminium alloys.



LATERAL AND CENTRAL SECTION scale 1:2

TEKLA
porte e finestre

*Le nostre sinergie
per i tuoi progetti*



teklstyle



800219300



info@teklaweb.it



teklstyle



0818507050



www.teklaweb.eu



TK EKOSOL 90 S



The PVC used in manufacturing of TK ecosol90 system is 100% recyclable and made by zinc-calcium organic additives. Tin and lead, harmful to the environment, are not involved

last update 31/01/2017

PERFORMANCES TK EKOSOL 90



AIR PERMEABILITY (in accordance with EN 1026 - UNI EN 12207)
class 4* - Top class: 4



WATERTIGHTNESS (in accordance with EN 1027 - UNI EN 12208)
class 7A*** - Top class: 9A



WIND RESISTANCE (in accordance with EN 12211 - UNI EN 12210)
class C2/B2* - Top class: C5



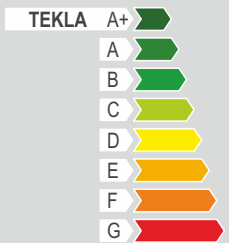
THERMAL TRANSMITTANCE (in accordance with UNI EN ISO 10077/1-2)

UF : = 1,86 W/m²K**

Uw: = 1,56 W/m²K**



ENERGY SAVING
compared to cold window systems
with monolithic glass:



80%

* Test report n. 10241514 / 3 by IFT Rosenheim

TECHNICAL FEATURES

SIZE

Fix frame: mm 90
Mobile frame: mm 58
Overlapping : mm 8
Glass top tongue: mm 22

GLASS

Thickness: Min. mm6 Max. mm32
Raccomended glass: 33.2 4s - 15 argon
- 33.2 Ug = 1,0 W/m²K

PVC

Quality: in accordance to UNI 12608: 2005; wall thickness class A
100% recyclable, made with organic additives of di calcium-zinc, (tossic to humans and enviroment)

Colors: white and ivory, bicolored, available in 52 different colors

HARDWERE

Perimetric with flow up to Kg 120 for each leaf

OPENING TYPES

Parallel sliding

SEALING SYSTEM

Duble gasket system in TPE

GLAZING BEADS

PVC snap-in from mm 9,5 to mm 32

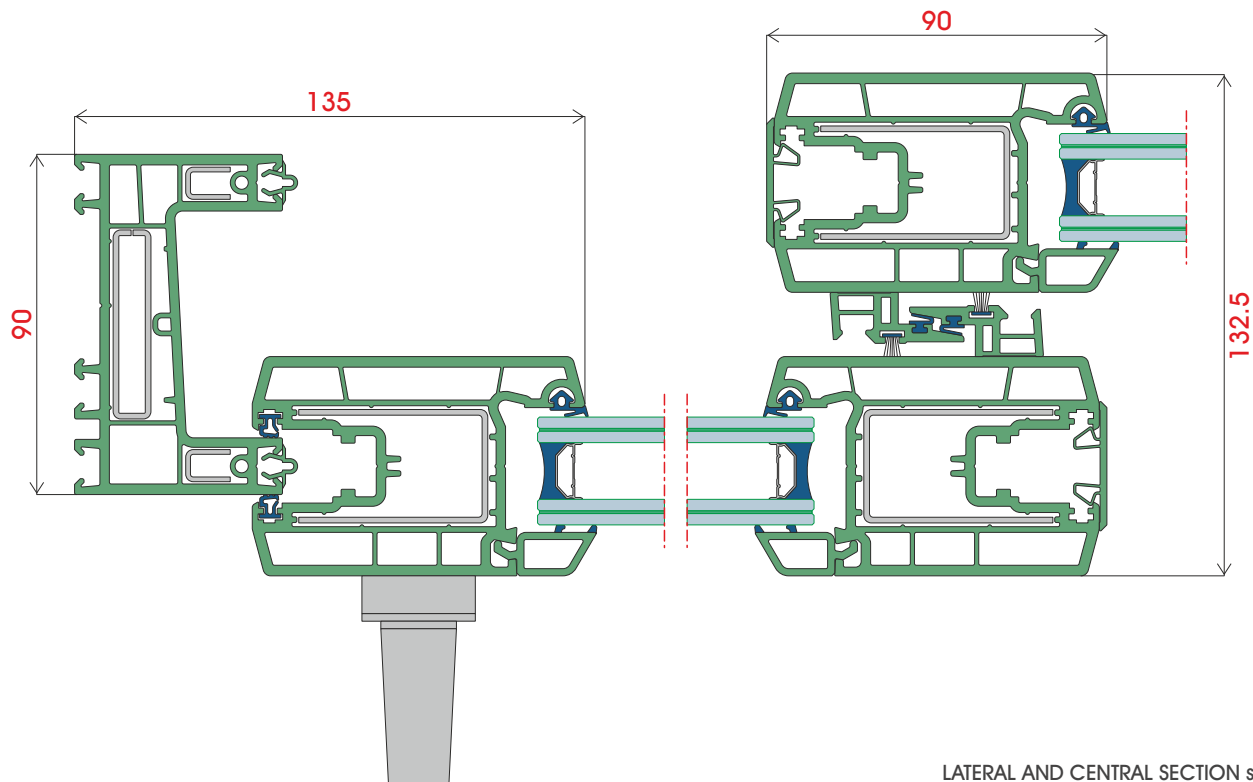
PROFILE CUTTING

Frame: 45°
Leaf: 45°

DESIGN

Step line or frameless sash

(a) UNI EN 12206-1:2005 Paints and Vernishes – Uni 3952 Aluminium and aluminium alloys.



LATERAL AND CENTRAL SECTION scale 1:2

TEKLA
porte e finestre

*Le nostre sinergie
per i tuoi progetti*



teklastyle



800219300



info@teklaweb.it



teklastyle



0818507050



www.teklaweb.eu



TK 82 SOFTLINE



Modern and flexible the new TK82 softline system boasts a refined design and high thermal insulation values

last update 31/01/2017

PERFORMANCES TK 82 soffline



AIR PERMEABILITY (in accordance with EN 1026 - UNI EN 12207)
class 4* - Top class: 4



WATERTIGHTNESS (in accordance with EN 1027 - UNI EN 12208)
class 7A*** - Top class: 9A



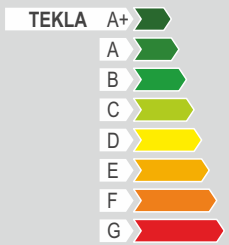
WIND RESISTANCE (in accordance with EN 12211 - UNI EN 12210)
class C4/B4* - Top class: C5



THERMAL TRANSMITTANCE (in accordance with UNI EN ISO 10077/1-2)
UF : = 1,1 W/m²K**
Uw: = 1,0 W/m²K**



ENERGY SAVING
compared to cold window systems
with monolithic glass:



85%

* Rapporto di prova n. 11-000660-PR01 dell'IFT Rosenheim

TECHNICAL FEATURES

SIZE

Fix frame: mm 82
Mobile frame: mm 82
Overlapping : mm 8
Glass top tongue: mm 25

GLASS

Thickness: Min. mm24 Max. mm52
Raccomended glass: 44.2 - 18 argon - 44.2 Ug = 1,0 W/m²K

PVC

Quality: in accordance to UNI 12608: 2005; wall thickness class A
100% recyclable, made with organic additives of di calcium-zinc, (tossic to humans and enviroment)
Colors: white and ivory, bicolored, avaiabile in 52 different colors

HARDWERE

Perimetric

OPENING TYPES

Side hung, pivoted, Wasistas, arco, fuori-squadro, sliding, tilt and turn

SEALING SYSTEM

Duble gasket system in EPDM / TPE Step line or frameless sash

DESIGN

Step line or frameless sash

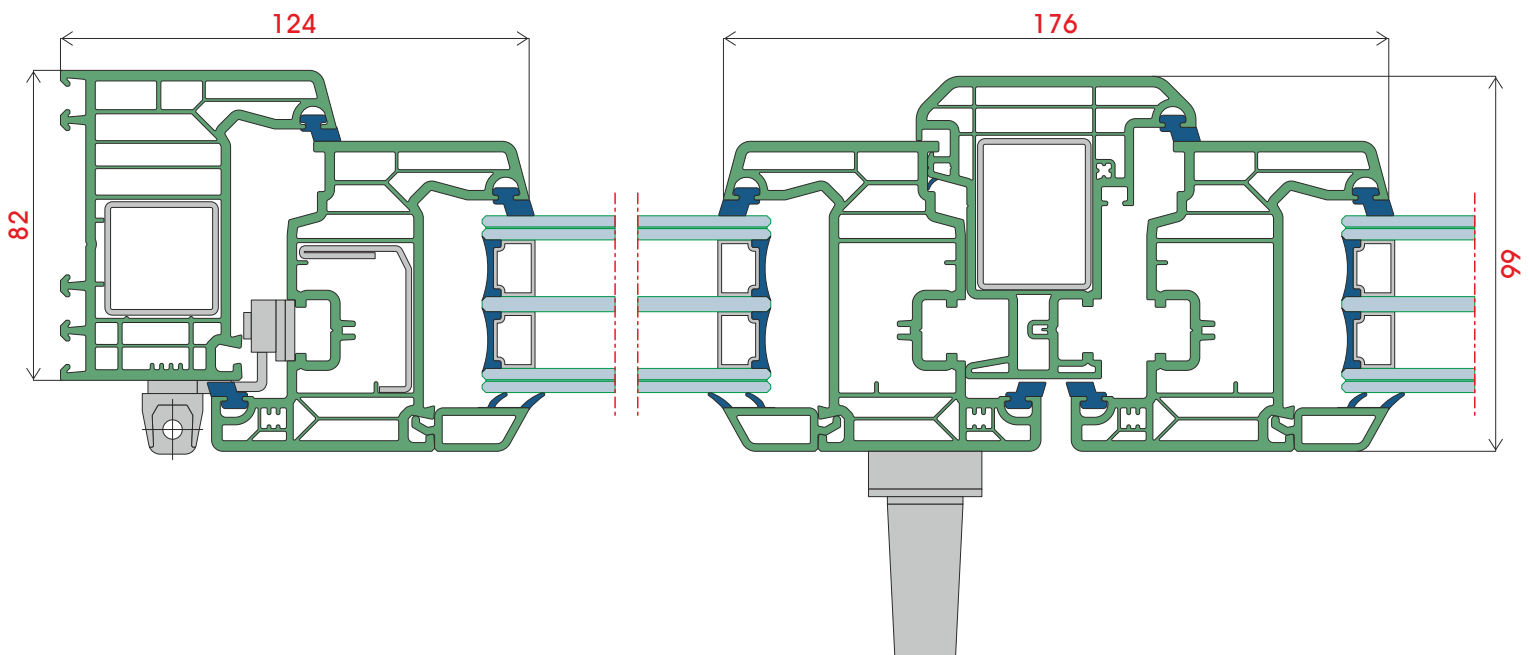
GLAZING BEADS

PVC snap-in from mm 7,5 to mm 35,5

PROFILE CUTTING

Frame: 45°
Leaf: 45°

(a) UNI EN 12206-1:2005 Paints and Vernishes – Uni 3952 Aluminium and aluminium alloys.



LATERAL AND CENTRAL SECTION scale 1:2

TEKLA
porte e finestre

*Le nostre sinergie
per i tuoi progetti*



teklastyle



800219300



info@teklaweb.it



teklastyle



0818507050



www.teklaweb.eu



TK 70 AD



Pvc systems are customizable in a wide range of woodgrain and coloured foils. The TK70AD is the most selling system for its healthy price/service ratio.

last update 31/01/2017

PERFORMANCES TK 70 AD

	AIR PERMEABILITY (in accordance with EN 1026 - UNI EN 12207) class 4* - Top class: 4	ENERGY SAVING compared to cold window systems with monolithic glass: TEKLA A+  A  B  C  D  E  F  G  81%
	WATERTIGHTNESS (in accordance with EN 1027 - UNI EN 12208) class 7A*** - Top class: 9A	
	WIND RESISTANCE (in accordance with EN 12211 - UNI EN 12210) class C3/B2* - Top class: C5	
	THERMAL TRANSMITTANCE (in accordance with UNI EN ISO 10077/1-2) UF : = 1,3 W/m²K** Uw: = 1,3 W/m²K**	

* Test report n. 10033466-1/0.3 by IFT Rosenheim. Size window with 2 leaves: 1746x2250 mm ** Size window with 2 leaves: mm 1230x1480 and glass Ug = 1,0 W/m²K.

TECHNICAL FEATURES

SIZE

Fix frame: mm 70
Mobile frame: mm 70/79
Overlapping : mm 8
Glass top tongue: mm 22

GLASS

Thickness: Min. mm4 Max. mm42
Raccomended glass: 44.2 - 18 argon - 44.2 Ug = 1,0 W/m²K

PVC

Quality: in accordance to UNI 12608: 2005; wall thickness class A
100% recyclable, made with organic additives of di calcium-zinc, (tossic to humans and environment)
Colors: white and ivory, bicolored, available in 52 different colors

HARDWARE

Perimetric

OPENING TYPES

Side hung, pivoted, Wasistas, arco, fuori-squadro, sliding, tilt and turn

SEALING SYSTEM

Duble gasket system in EPDM / TPE Step line or frameless sash

DESIGN

Step line or frameless sash

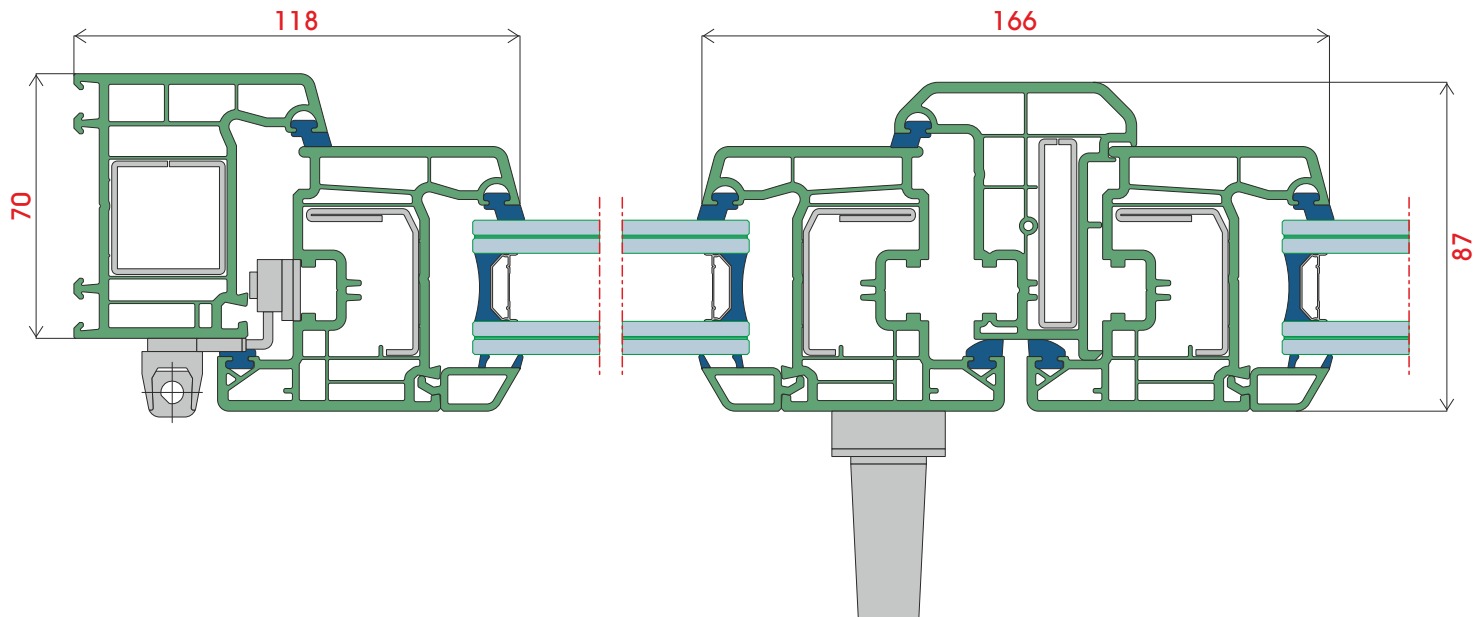
GLAZING BEADS

PVC snap-in from mm 6 to mm 40

PROFILE CUTTING

Frame: 45°

(a) UNI EN 12206-1:2005 Paints and Vernishes – Uni 3952 Aluminium and aluminium alloys.



LATERAL AND CENTRAL SECTION scale 1:2